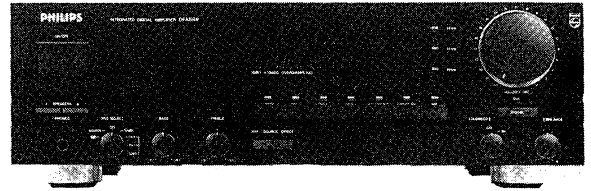


Service
Service
Service

DFA888/00R/05R



Service Manual

Table of contents	page		
Specification	1	Rec select-bass/treble (PE01),	
Connections and controls	2	Balance/loudness (PE51)	
Block diagram, adjustment	3	and volume control (PG01) wiring diagrams	22,23
Block diagram of digital circuit	4,5	Microprocessor/control/led indication (PU01)	
Semiconductor layout	6,7,8	wiring diagram, standard symbol list	24,25
Digital (input/output selecting, filtering, AD converting P101) schematic diagram	9,10,11	Microprocessor/control/led indication (PU01) schematic diagram	26,27,28
Digital (Input/output selecting, filtering, AD converting P101) wiring diagram, standard symbol list	12,13	Supply/power amplifier (P701), supply (P851), speakers (PW01), system speakers A-B (PW51), mains switch (P901), headphone (PW81), power indication (PZ01) and volume illumination (PZ51) schematic diagrams	29,30,31
Analog (input/output selecting) (PV01), Input/output (PJ01) wiring diagrams	14,15	Supply/power amplifier (P701), supply (P851), speakers (PW01), system speakers A-B (PW51), mains switch (P901), headphone (PW81), power indication (PZ01) and volume illumination (PZ51) wiring diagrams	32,33
Analog (input/output selecting) (PV01), Input/output (PJ01) schematic diagrams	16,17,18	Exploded view, list of mechanical parts	34,35
Rec select (PE01-22), Bass/treble (PE01-1/2), balance/loudness (PE51) and volume control (PG01-1/2) schematic diagrams	19,20,21	List of electrical parts	36



SPECIFICATION

General	Nominal value	Typical value
Mains voltage	: 220V ~ (/00R) : 110/120/220/240V ~ (/01R) : 240V ~ (/05R)	: 220V ~ (/00R) : 110/120/220/240V ~ (/01R) : 240V ~ (/05R)
Mains frequency	: 50 – 60 Hz	: 50 – 60 Hz
Power consumption	: 330W	: 330W
Dimensions (WxHxD)	: 420 x 118 x 334 mm	: 420 x 118 x 334 mm
Weight	: 10.5 kg	: 10.5 kg
Amplifier		
Output power	: 80W in 8Ω (IEC)	: 85W in 8Ω (IEC)
Distortion		
T.H.D.	: ≤ 0.03% at 1 kHz : ≤ 0.03% at 63 Hz – 12.5 kHz } (IEC) : ≤ 0.03% at 60/7000 Hz 4:1	: ≤ 0.008% at 1 kHz : ≤ 0.02% at 63 Hz – 12.5 kHz } (IEC) : ≤ 0.01% at 60/7000 Hz 4:1
Intermodulation		
Frequency characteristic		
Phono input	tone control : from 20 Hz – 20 kHz ±1 dB (IEC/RIAA) neutral : from 10 Hz – 50 kHz ±1 dB	: from 20 Hz – 20 kHz ±0.5 dB (IEC/RIAA) : from 10 Hz – 60 kHz ±1 dB
Other inputs		
Bass control	: at 100 Hz +8 dB to –8 dB ±1 dB	: at 100 Hz +8 dB to –8 dB
Treble control	: at 10 kHz +8 dB to –8 dB ±1 dB	: at 10 kHz +8 dB to –8 dB
Loudness	: at 100 Hz +6 dB ±1 dB } Tap position : at 10 kHz +4 dB ±1 dB	: at 100 Hz +6 dB } Tap position : at 10 kHz +4 dB
Signal/noise ratio		
weighted (A-curve)		
Phono input	(MM) : for 80W output ≥ 80 dB (IEC) (MC) : for 80W output ≥ 70 dB (IEC)	: for 80W output ≥ 83 dB (IEC) : for 80W output ≥ 72 dB (IEC)
Other inputs	: for 80W output ≥ 85 dB (IEC)	: for 80W output ≥ 89 dB (IEC)
Channel separation	: at 1000 Hz ≥ 65 dB : at 250 Hz – 10 kHz ≥ 45 dB	: at 100 Hz ≥ 70 dB : at 250 Hz – 10 kHz ≥ 55 dB
Input sensitivity/Input impedance		
Audio		
Phono	(MM) : 2.5 mV/47 kΩ (MC) : 250 μV/150Ω	: 2.5 mV/47 kΩ : 250 μV/150Ω
Tuner/CD/Aux/Tape	: 150 mV/17 kΩ	: 150 mV/20 kΩ
TV/Video	: 150 mV/17 kΩ	: 150 mV/20 kΩ
Output level/Output impedance		
Tape	: 450 mV/590Ω (Phono 7.75 mV 1 kHz input)	: 450 mV/590Ω (Phono 7.75 mV 1 kHz input)
Digital Section		
Frequency characteristic	: from 10 Hz – 20 kHz ±2.0 dB	: from 10 Hz – 20 kHz ±1.0 dB
Distortion (T.H.D.)	: 0.008% at 1 kHz	: 0.0035% at 1 kHz
Signal/noise ratio		
weighted (A-curve)	: 100 dB at tape out	: 106 dB at tape out

(GB)

Safety regulations require that the set be restored to its original condition and that parts which are identical with those specified be used.

(NL)

Veiligheidsbepalingen vereisen, dat het apparaat in zijn oorspronkelijke toestand wordt teruggebracht en dat onderdelen, identiek aan de gespecificeerde worden toegepast.

(D)

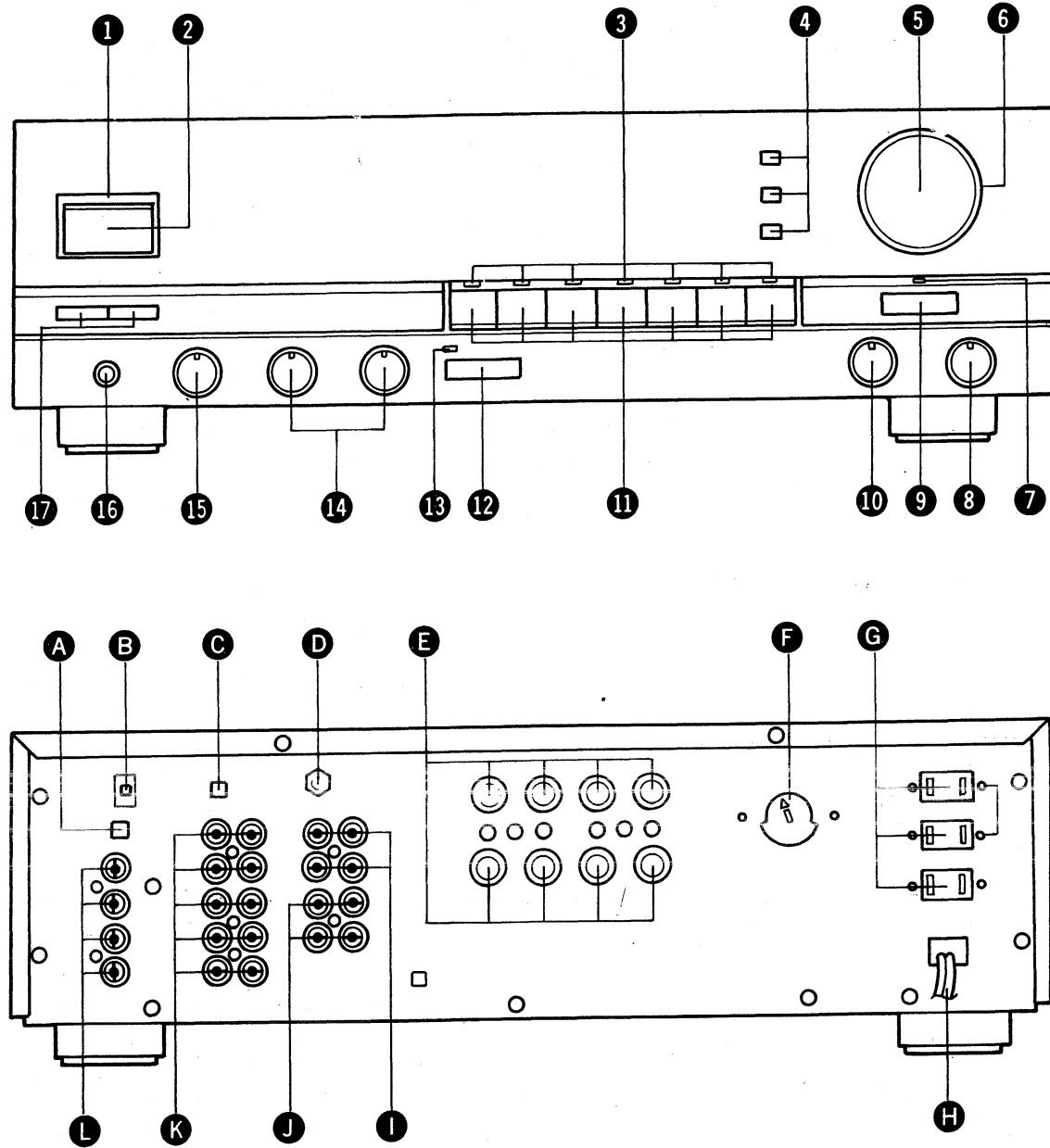
Bei jeder Reparatur sind die geltenden Sicherheitsvorschriften zu beachten. Der Originalzustand des Geräts darf nicht verändert werden für Reparaturen sind Original-Ersatzteile zu verwenden.

(I)

Le norme di sicurezza esigono che l'apparecchio venga rimesso nelle condizioni originali e che siano utilizzati pezzi di ricambio identici a quelli specificati.

(F)

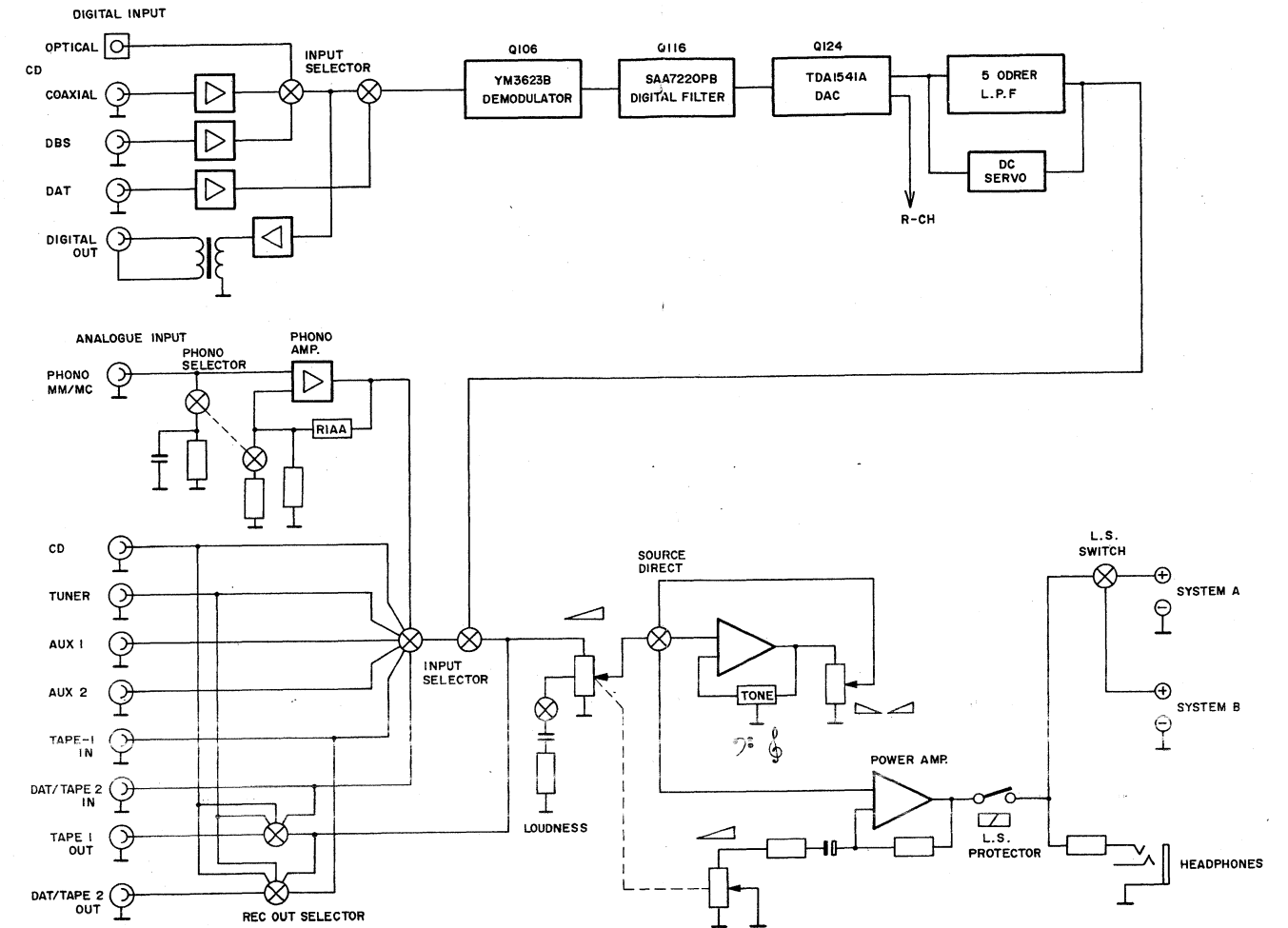
Les normes de sécurité exigent que l'appareil soit remis à l'état d'origine et que soient utilisées les pièces de rechange identiques à celles spécifiées.



CONNECTIONS AND CONTROLS

1	Mains indicator	VZ01	A	CD input selector switch	S101
2	Mains switch	S901	B	CD (Opt.) input	J101
3	Function indicator	DU01~DU05, DU09, DU10	C	Phono selector switch	S401
4	Sampling frequency indicator	DU61~DU63	D	Ground terminal	J053
5	Volume control	RG19	E	LS output	JW01
6	Volume illumination	VZ51, VZ52	F	Voltage selector (/01R only)	J091
7	Digital indicator	DU06	G	AC outlet (/01R only)	J051
8	Balance control	RE51	H	Mains cord	W001
9	Digital switch	SU08	I	Tape 1 play/rec.	JJ01
10	Loudness switch	SE51	J	DAT/tape 2 play/rec.	JJ02
11	Function switch	SU01~SU07	K	Analogue input	JV01, JV02
12	Source direct switch	SU09	L	Digital input	J102
13	Source direct indicator	DU07			
14	Tone control	RE21, RE22			
15	Rec selector	SE01			
16	Headphone socket	JW81			
17	LS switch	SW51			

Block Diagram



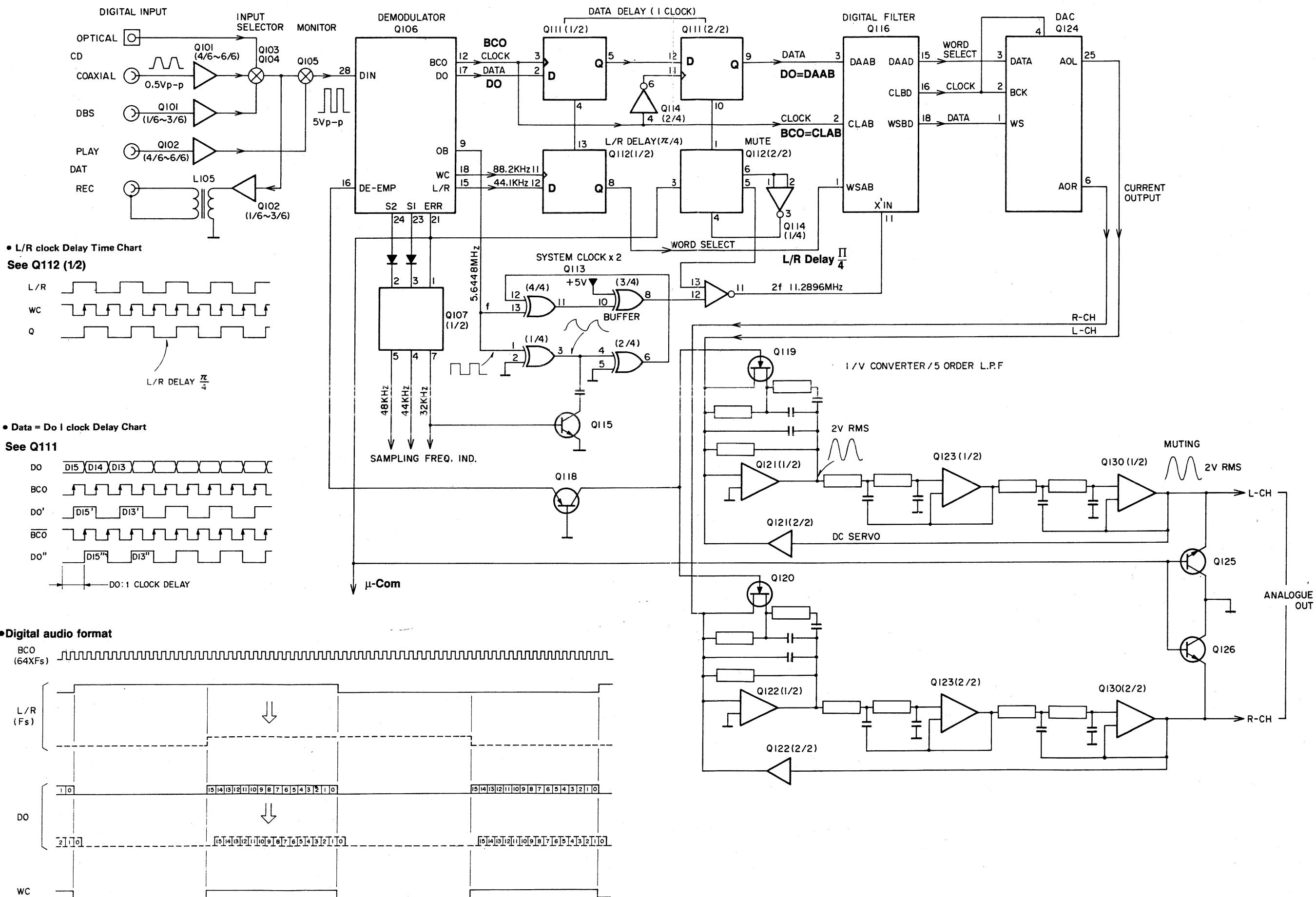
ADJUSTMENT

Idling Current

SK... SWITCH	SIGNAL	TO	VOLUME	ADJUST	OSCILLOSCOPE	D.C. METER INDICATOR
				Lch R751		Lch TP2(+), TP1(-) DC 7 mV (19.4 mA)
			Min.	Rch R752		Rch TP4(+), TP3(-) DC 7 mV (19.4 mA)

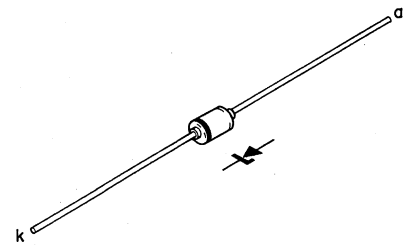
*Adjustment must be made approx. one (1) minute after power switch has been turned on.

Block Diagram of Digital Circuit

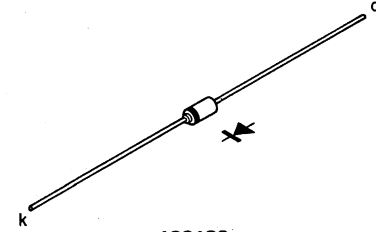


(Fig. 2)

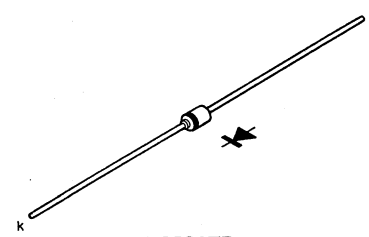
Semiconductor Layout



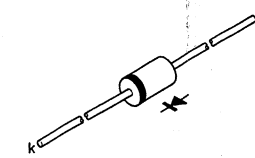
MTZJ3.9A
RD4.7JB2/MTZJ4.7B
RD5.6JB2/MTZJ5.6B
RD15JB3/MTZJ16A



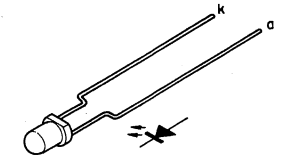
1SS133
1SS176
MA165



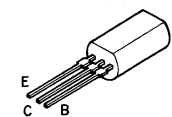
HSS81TD



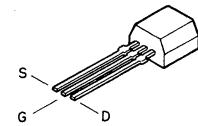
RL103E



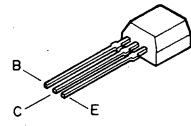
LT3D8B



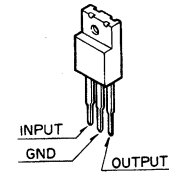
2SA1145 2SC2705



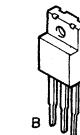
2SK372



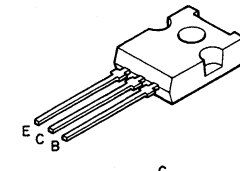
2SC2458 2SA1048



NJM78M12FA



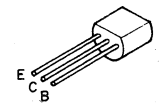
2SB1274



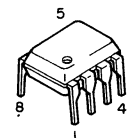
2SC3419



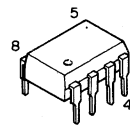
2SA13



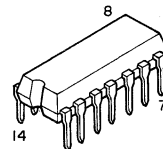
2SA970 2SC2240
2SC2878



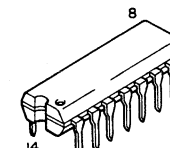
NJM4558D-D



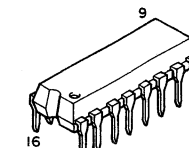
NJB2068DD



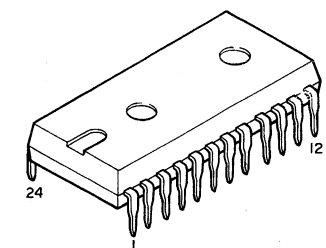
TC74HC86P
TC74HC00P
TC74HC74P



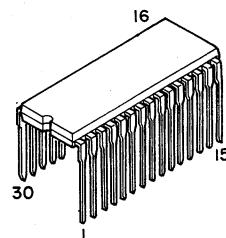
LC4996



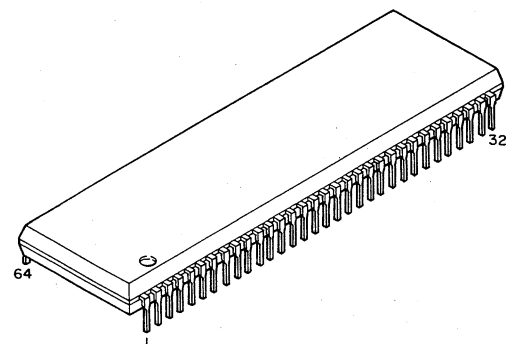
μPD4555



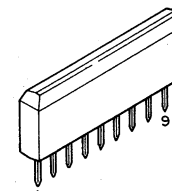
2SAA7220P/B



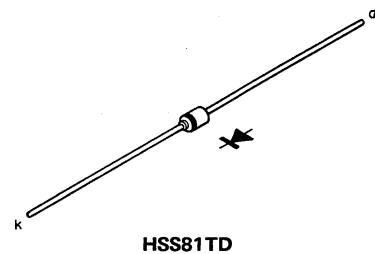
LC7821



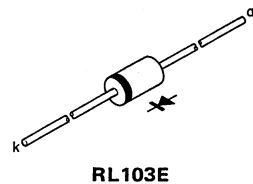
LC6554H



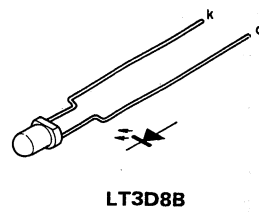
TA7317P



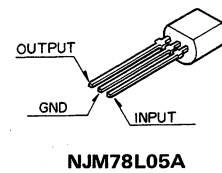
HSS81TD



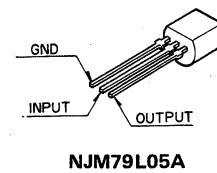
RL103E



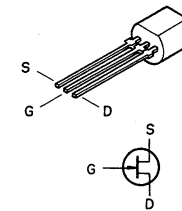
LT3D8B



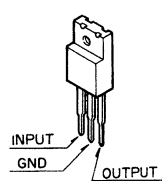
NJM78L05A



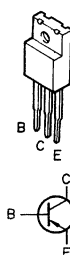
NJM79L05A



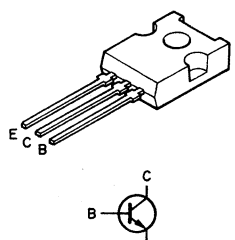
2SK369



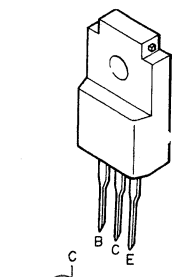
NJM78M12FA



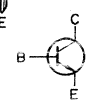
2SB1274



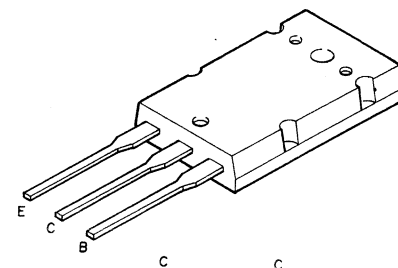
2SC3419



2SA1306



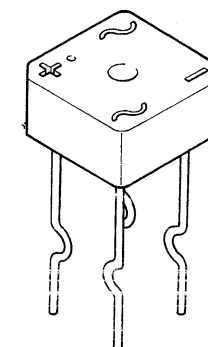
2SC3298



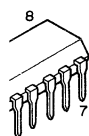
2SC3280



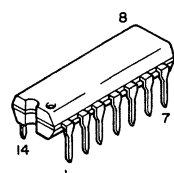
2SA1301



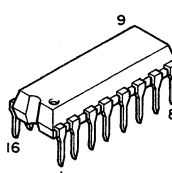
BR82



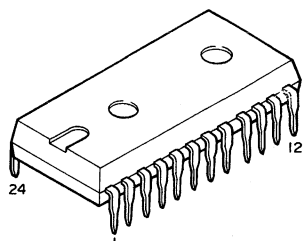
IC86P
IC00P
IC74P



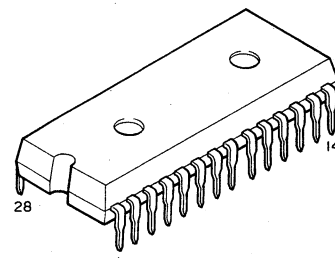
LC4996



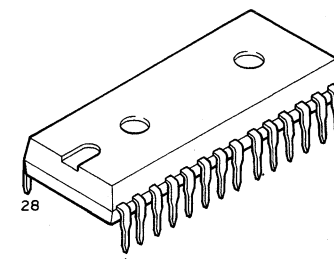
μPD4555



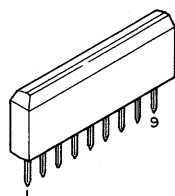
2SAA7220P/B



YM3623B



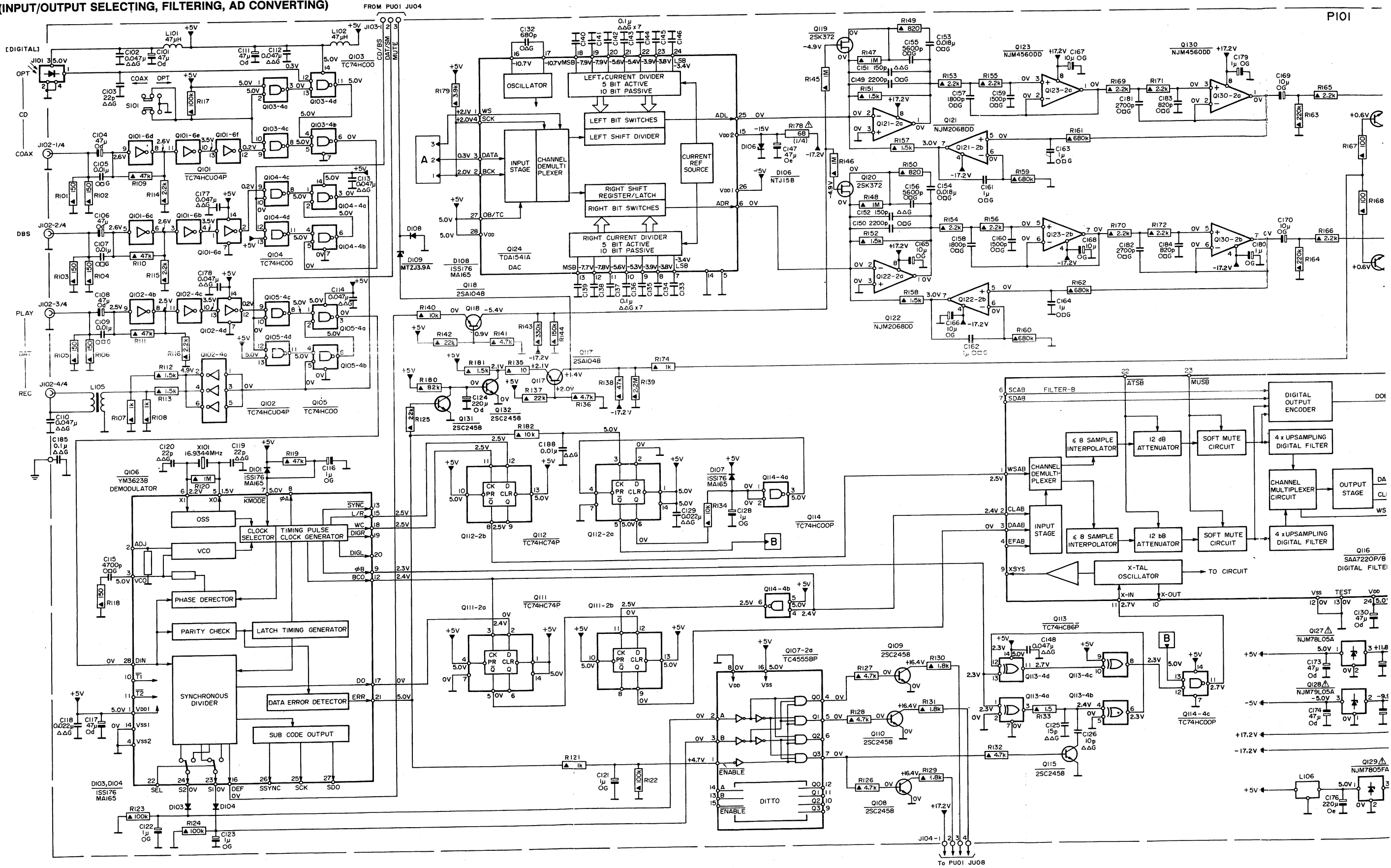
TDA1541A/N2



TA7317P

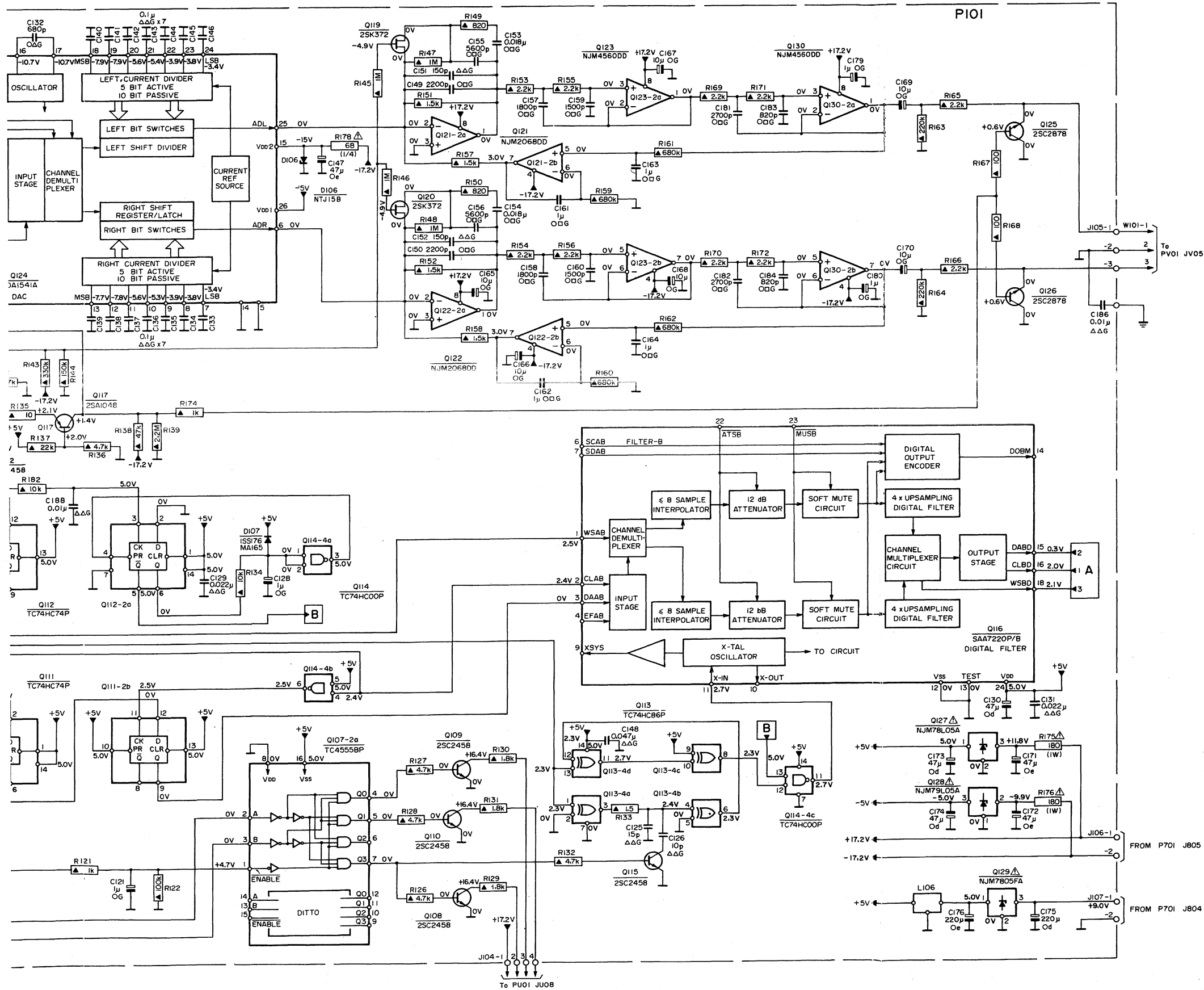
R	R123	R124	R101 ~ R120	R125	R180	R181	R136 ~ R144	R182	R121	R122	R174	R178	R126 ~ R131	R145 ~ R160	R132	R133	R161	R162	R169 ~ R172	R163 ~ R168									
C	C185	C118	C117	C115	C101 ~ C110	C120	C122	C119	C123	C177	C178	C111 ~ C114	C116	C124	C132	C188	C121	C133 ~ C140	C129	C128	C147	C149 ~ C156	C157 ~ C168	C148	C125	C126	C180 ~ C184	C179	C169 ~ C176
Q-D	Q101 ~ Q106	D103	D104	D101	D108	D109	Q131	Q118	Q132	Q112	Q111	Q117	Q124	D107	D106	Q114-4a	Q114-4b	Q107-2a	Q119	Q120	Q108 ~ Q110	Q121	Q122	Q123	Q113	Q116	Q114-4c	Q130	Q125 ~ Q128
L-S-X	L105	S101	L101	X101	L102																								L106

DIGITAL (INPUT/OUTPUT SELECTING, FILTERING, AD CONVERTING)



SCHEMATIC DIAGRAMS

R144	R182	R121	R122	R174	R178	R126~R131	R145~R160	R132	R133	R161	R162	R169~R172	R163~R168	R175	R176	R						
C132	C188	C121	C133~C140	C129	C128	C147	C149~C156	C157~C168	C148	C125	C126	C180~C184	C179	C169~C176	C186	C						
Q112	Q111	Q117	Q124	D107	D106	Q114-4a	Q114-4b	Q107-2a	Q119	Q120	Q108~Q110	Q121	Q122	Q123	Q113	Q116	Q114-4c	Q130	Q125~Q129	Q106	L	S-X

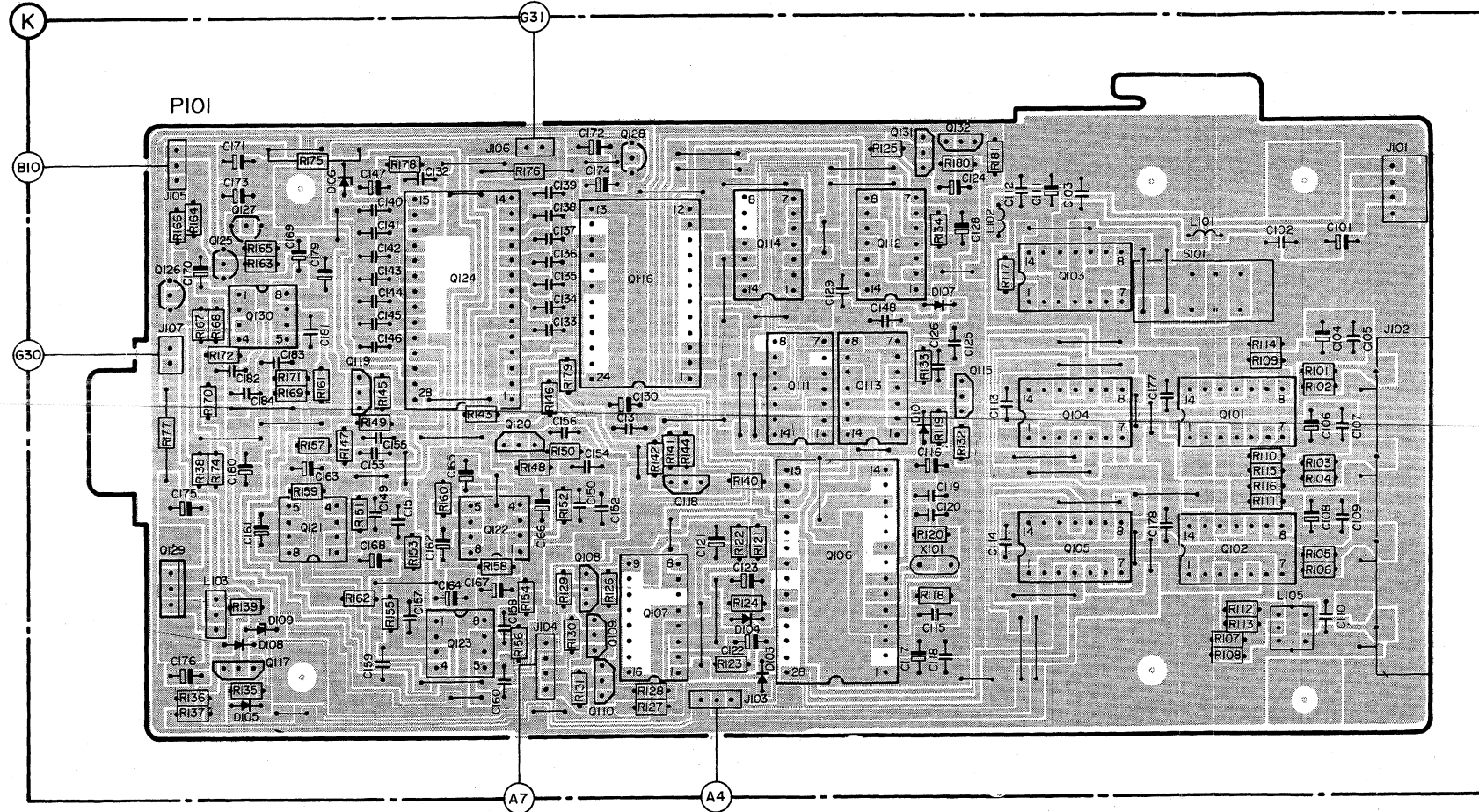


NOTE ON SAFETY:
 Symbol Δ Fire or electrical shock hazard. Only original parts should be used to replace any part marked with symbol Δ . Any other component substitution (other than original type), may increase risk of fire or electrical shock hazard.

WIRING DIAGRAMS

R	R163~R172	R175	R178	R176 R146 R179	R125	R134 R180 R181 R17	R
	R177 R138 R174	R157 R161 R147 R151 R149 R145 R160 R143	R148 R150 R152	R142 R141 R144 R140	R133 R132	R107~R116	
C	C170	C171 C173 C169 C179	C140~C147	C133~C139 C172 C174	C129 C148	C124 C128 C112 C111 C103	C102 C101
	C175	C180~C184	C163	C153 C155 C149 C151 C164~C167	C156 C154 C131 C130	C126 C125	C177 C104~C110
	C176	C161	C168	C162 C157~C160	C150 C152	C113~C120	C178
Q	Q125~Q127	Q130	Q119	Q124 Q120	Q128 Q116	Q111~Q115	Q131 Q132
	Q129	Q117	Q121~Q123	Q107~Q110 Q118	Q106	Q101~Q105	
D	D105 D108 D109 D106			D104 D103	D101 D107		
L-S-X	L103				X101 L102	S101 L101	L105

DIGITAL (INPUT/OUTPUT SELECTING, FILTERING, AD CONVERTING)



	Carbon film	0.2 W	70°C	5%
	Carbon film	0.33 W	70°C	5%
	Metal film	0.33 W	70°C	5%
	Carbon film	0.5 W	70°C	5%
	Carbon film	0.67 W	70°C	5%
	Carbon film	1.15 W	70°C	5%
Ⓢ Chip component				

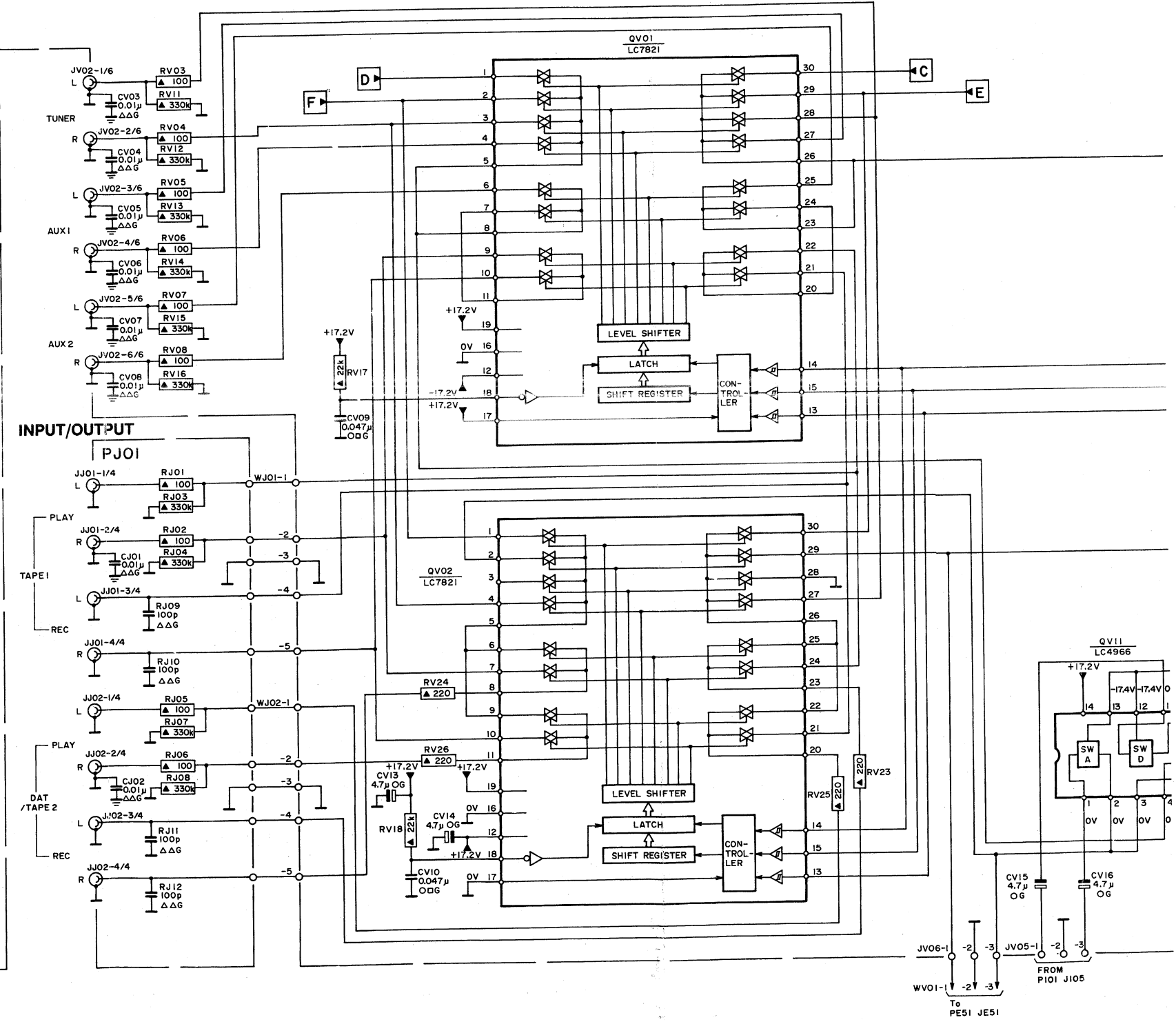
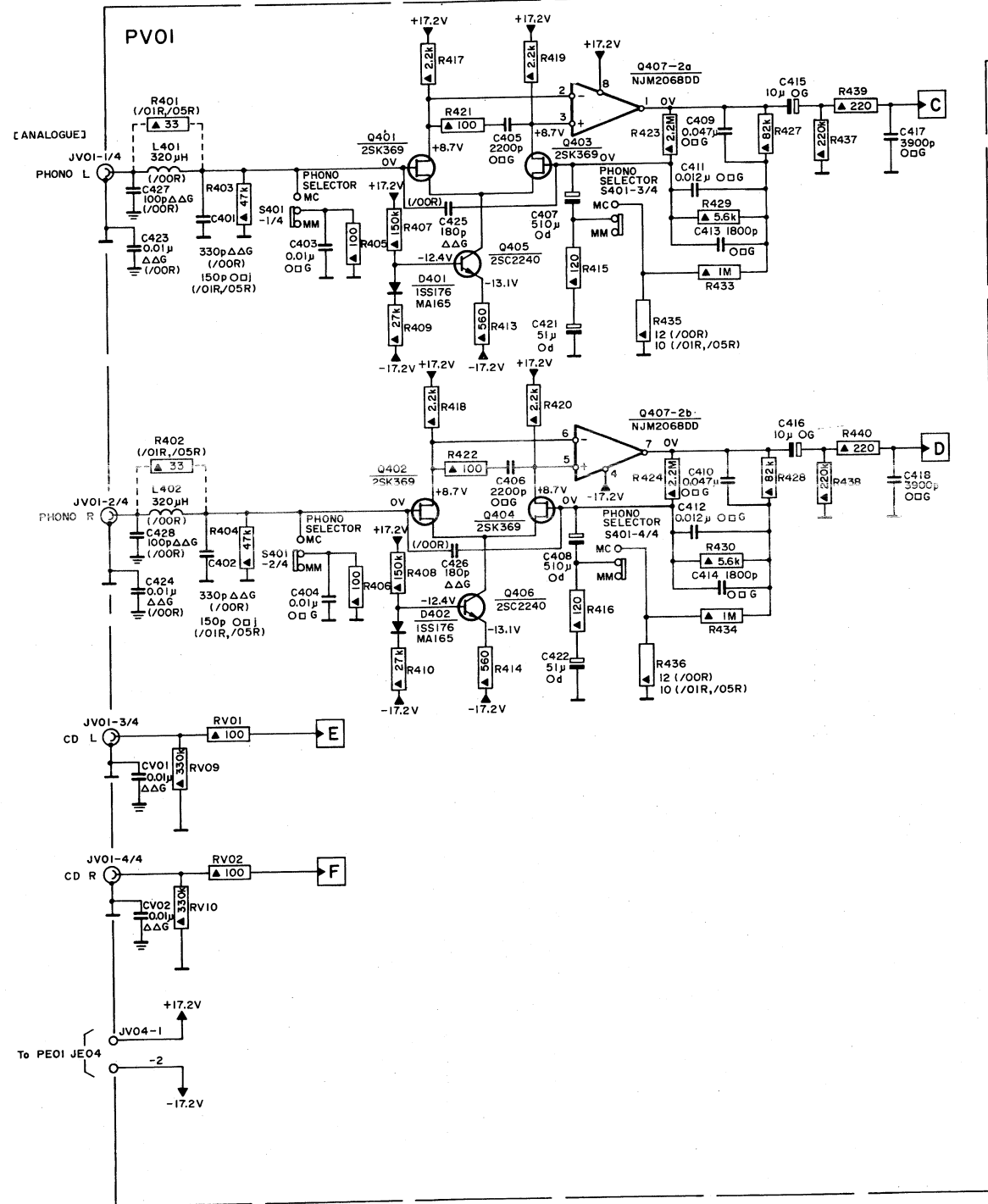
	Ceramic plate		
	Tuning	≤ 120 pF NP.0	2%
	Others		-20/+80%
	Polyester flat foil		10%
	Metalized polyester flat film		10%
	Polyester flat foil small size (Mylar)		10%
	Polysterene film/foil		1%
	Tubular ceramic		
	Miniature single		
	Subminiature tantalum		± 20%

*a = 2.5 V
 b = 3.15 V or 4 V
 c = 6.3 V
 d = 10 V
 e = 16 V
 f = 25 V
 g = 40 V
 h = 63 V
 j = 100 V
 l = 125 V
 m = 150 V
 n = 160 V
 q = 200 V
 r = 250 V
 s = 300 V
 t = 350 V
 u = 400 V
 v = 500 V
 w = 630 V
 x = 1000 V
 A = 1.6 V
 B = 6 V
 C = 12 V
 D = 15 V
 E = 20 V
 F = 35 V
 G = 50 V
 H = 75 V
 I = 80 V

SCHEMATIC DIAGRAMS

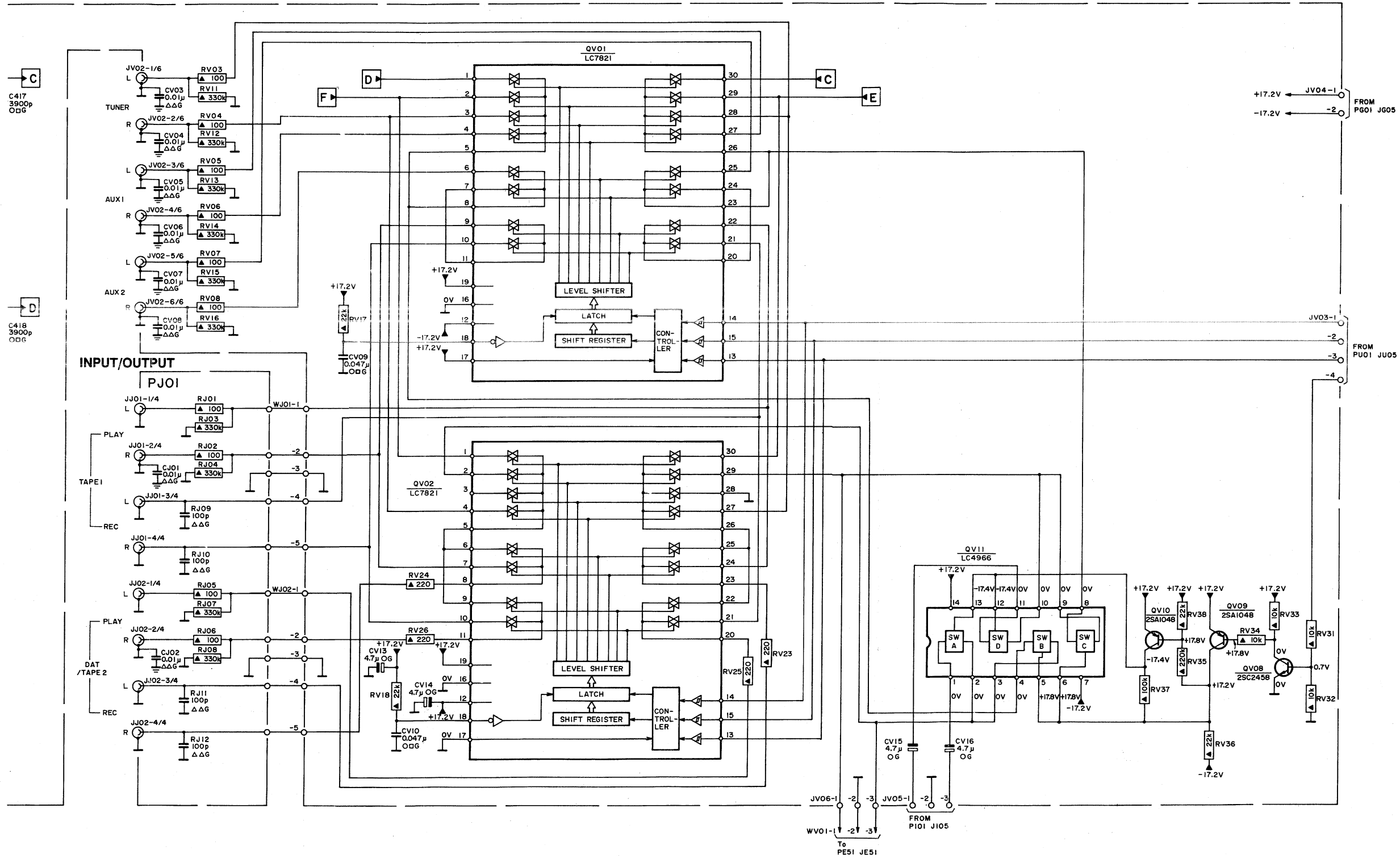
R	RV09 RV10 R401~R410 RV01 RV02	R417~R422 R413~R416 R423 R424 R433~R436 R427~R430 R437~R440	RV03~RV08 RV11~RV16 RJ01~RJ12	RV17	RV18 RV24 RV26	RV25 RV23	CV15	CV16
C	C423 C424 CV01 CV02 C401~C404	C425 C426 C405~C408 C421 C422	C409~C416	C417 C418	CV03~CV08 CJ01 CJ02	CV09	CV13 CV10 CV14	QV01 QV02
Q	C427 C428	Q401~Q407						
D-L-S	L401 L402	D401 D402 S401						

ANALOG (INPUT/OUTPUT SELECTING)



SCHEMATIC DIAGRAMS

	RV03~RV08 RV11~RV16 RJ01~RJ12	RV17	RV18 RV24 RV26	RV25 RV23	RV31~RV38	R
C418	CV03~CV08 CJ01 CJ02	CV09	CV13 CV10 CV14		CV15 CV16	C
				QV01 QV02	QV11	Q
					QV08~QV10	D-L-S

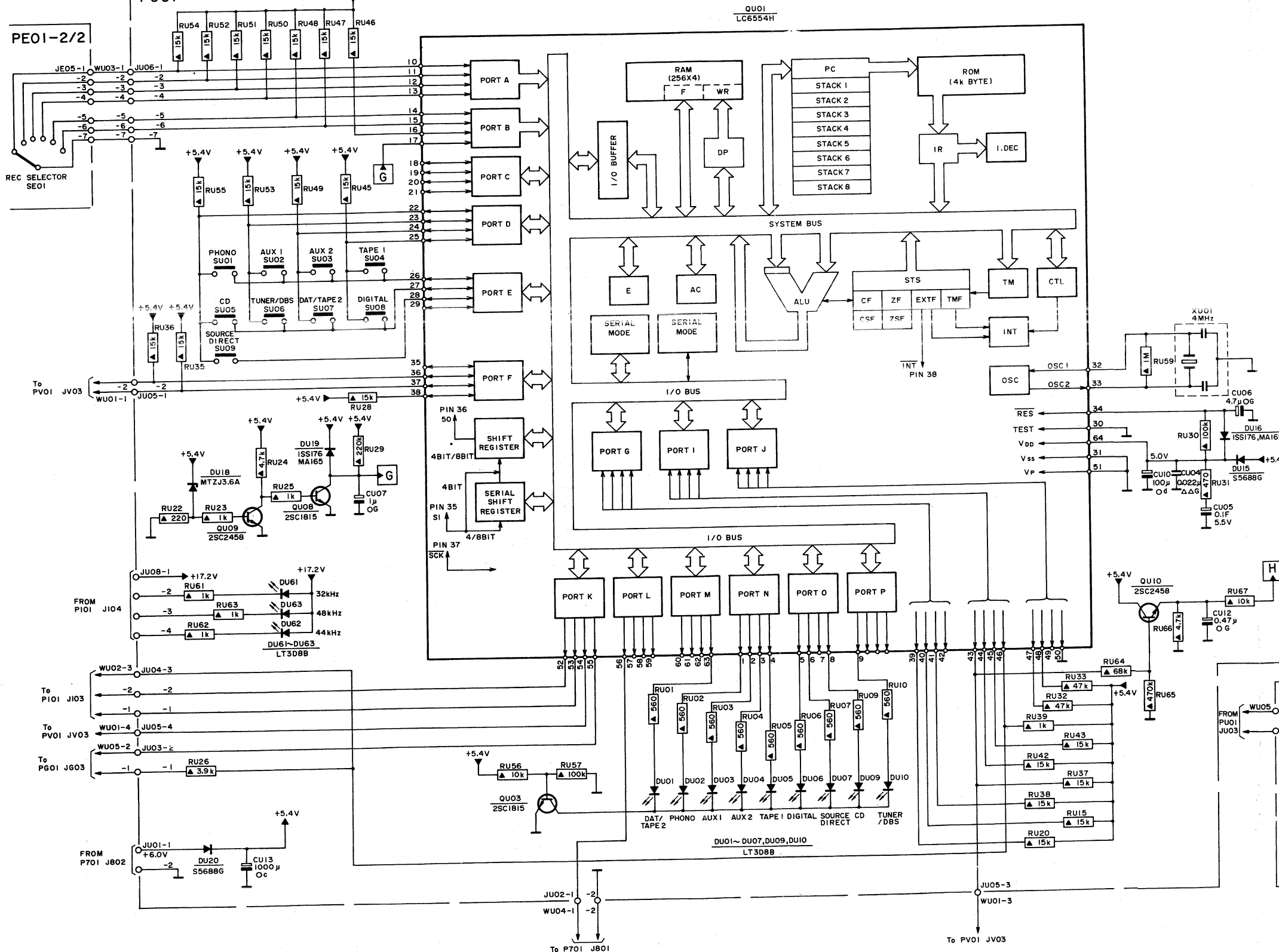


NOTE ON SAFETY:
 Symbol Δ Fire or electrical shock hazard. Only original parts should be used to replace any part marked with symbol Δ . Any other component substitution (other than original type), may increase risk of fire or electrical shock hazard.

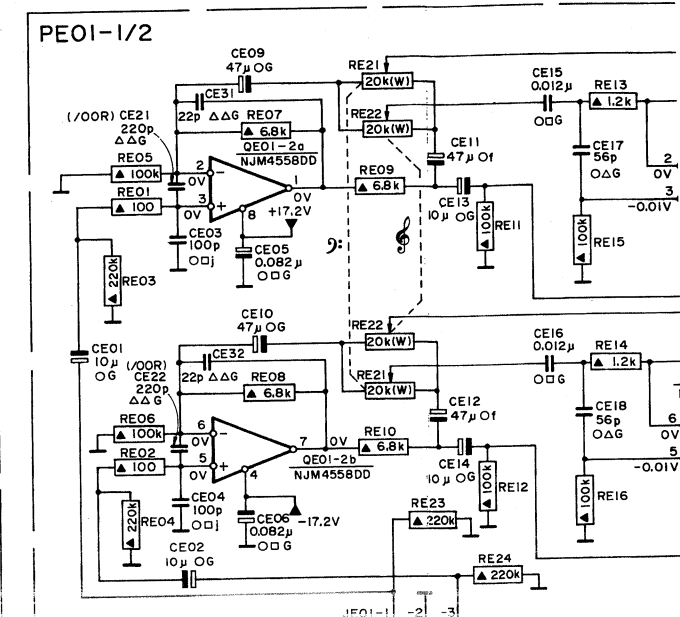
SCHEMATIC DIAGRAMS

R	RU36 RU35	RU45~RU55	RU22~RU26 RU61~RU63	RU29	RU56	RU57	RU01~RU07	RU09 RU10	RU59	RU30 RU31	RU37~RU39 RU42 RU43 RU15 RU20 RU32 RU33 RU64~RU67	RE01~RE12	RE21~RE24	RI
C			CUI3	CU07			DU01~DU07	DU09 DU10			CU10 CU04~CU06 CU12	RG10~RG18		RG01~
D-S	SE01	DU18 DU20 SU01~SU09 DU61~DU63 DU19					DU01~DU07	DU09 DU10			DU16 DU15	CE01~CE06 CE21 CE22 CG04 CE09 CE10 CE31 CE32	CE11~CE18	QE
Q-L-X		QU09 QU08			QU03		QU01			QU10 XU01		QE01 QE01 QG05~QG08	QG02~QG04	

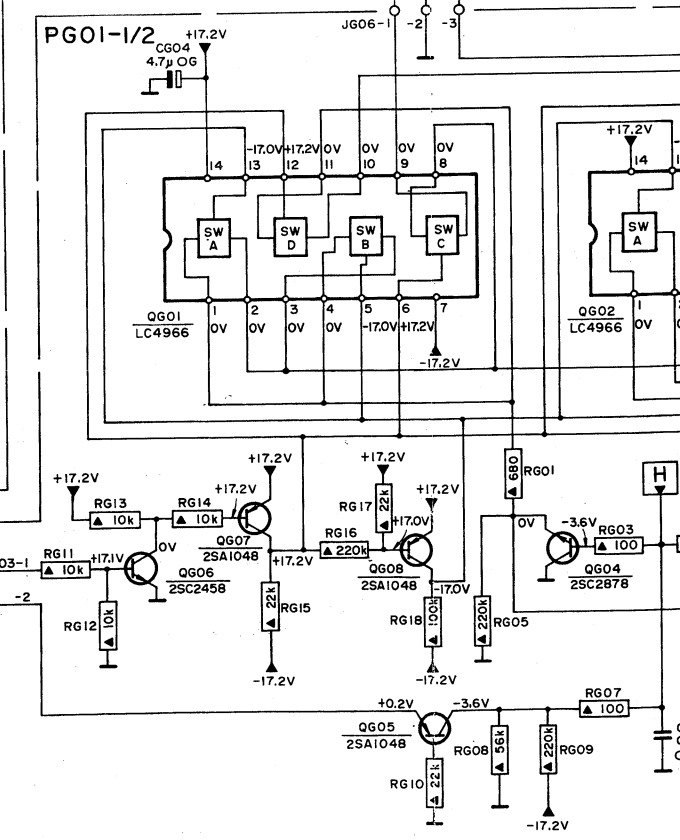
REC SELECT



BASS/TREBLE

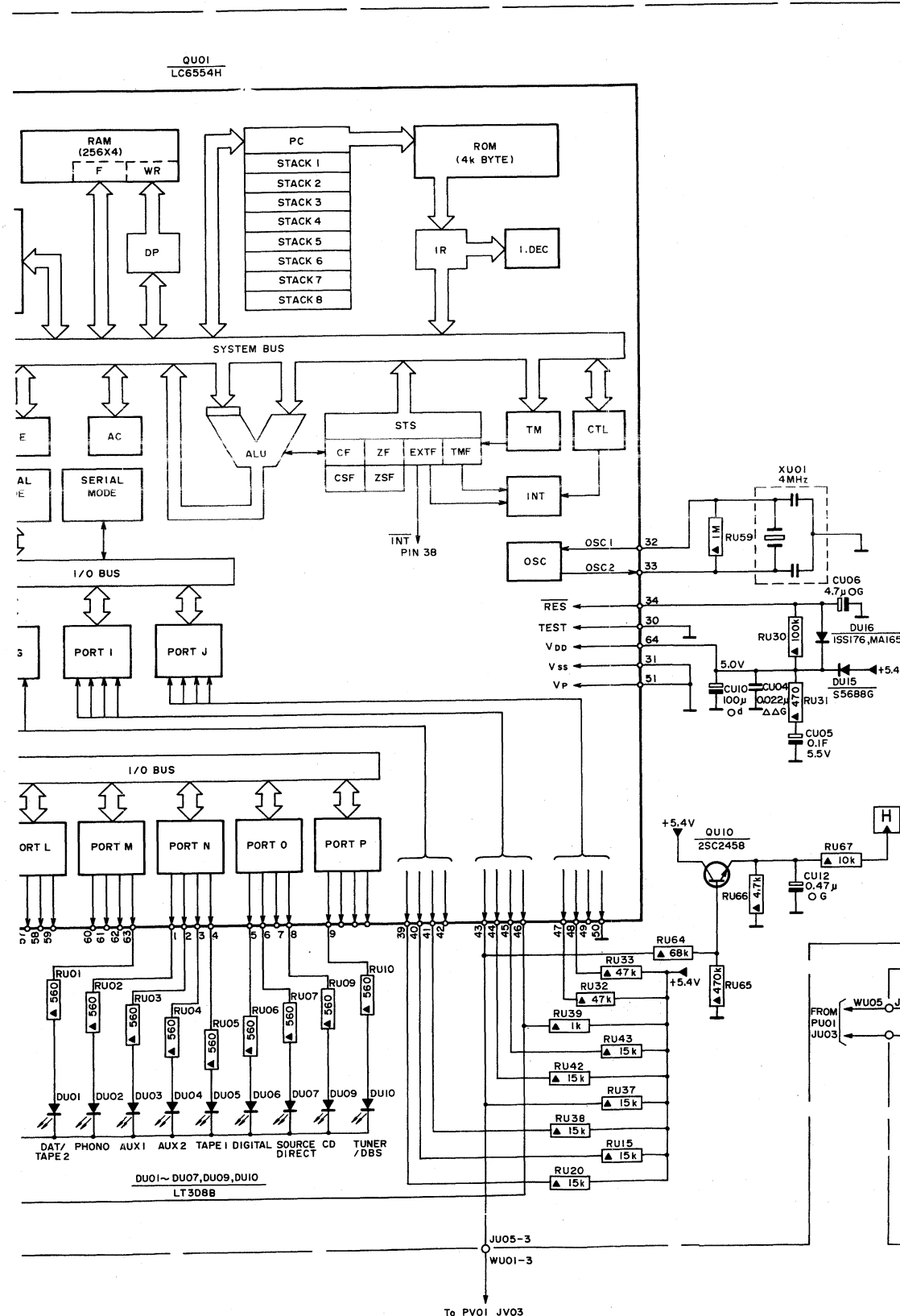


VOLUME CONTROL

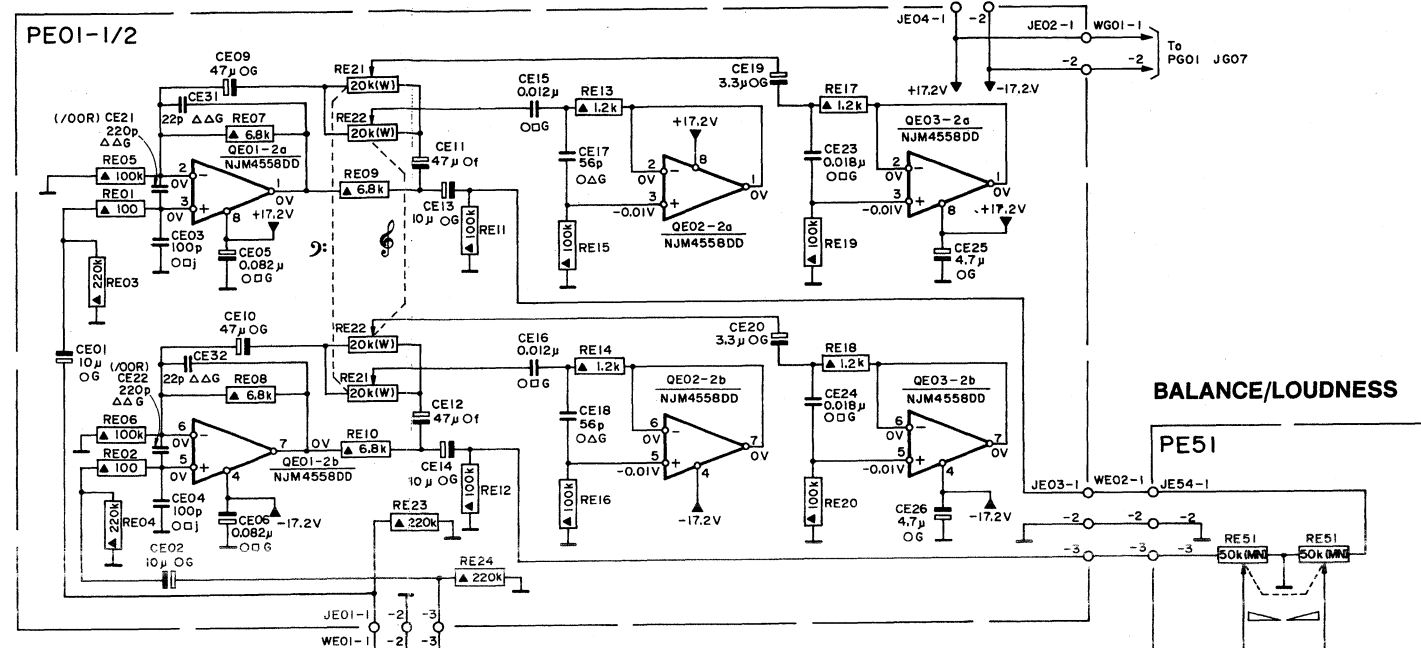


SCHEMATIC DIAGRAMS

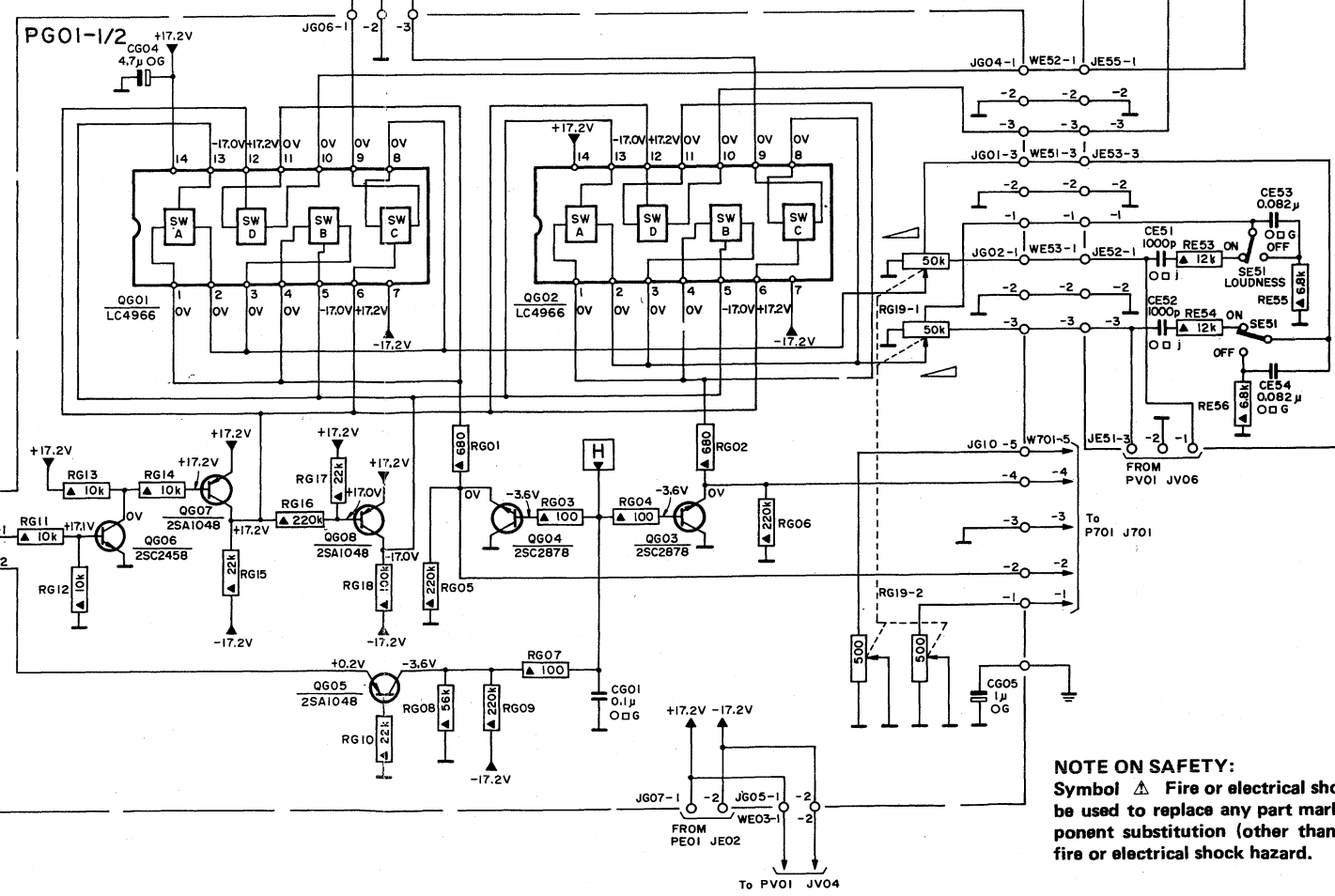
	RU59	RU30 RU31	RE01~RE12	RE21~RE24	RE13~RE20	RE51	R
RU01~RU07	RU09 RU10	RU37~RU39 RU42 RU43 RU15 RU20 RU32 RU33 RU64~RU67	RG10~RG18		RG01~RG09	RE53~RE56	C
		CU10 CU04~CU06 CUI2	CE01~CE06 CE21 CE22 CG04 CE09 CE10 CE31 CE32	CE11~CE18	CG01 CE19 CE20 CE23~CE26	CE51~CE54	D-S
DU01~DU07	DU09 DU10	DU16 DU15	QE01 QG01 QG05~QG08	QG02~QG04	QE02	SE51	Q-L-X
QU01	QU10 XU01				QE03		



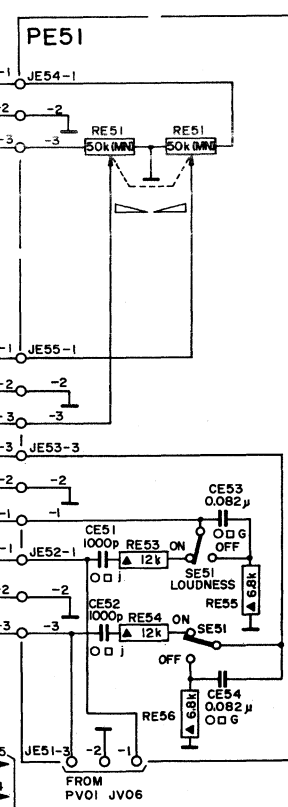
BASS/TREBLE



VOLUME CONTROL



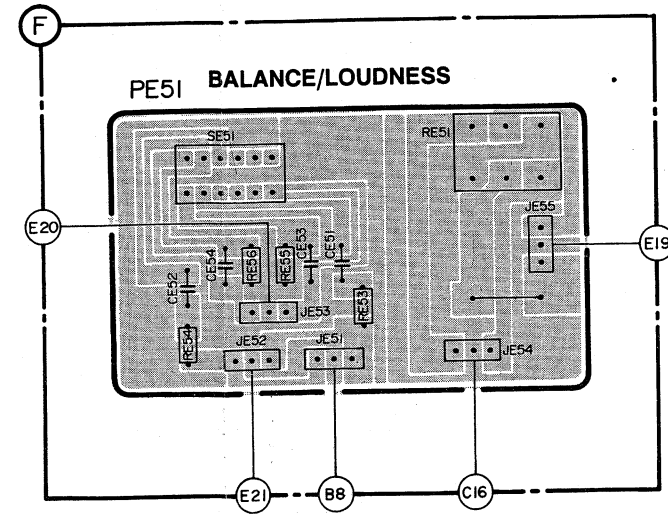
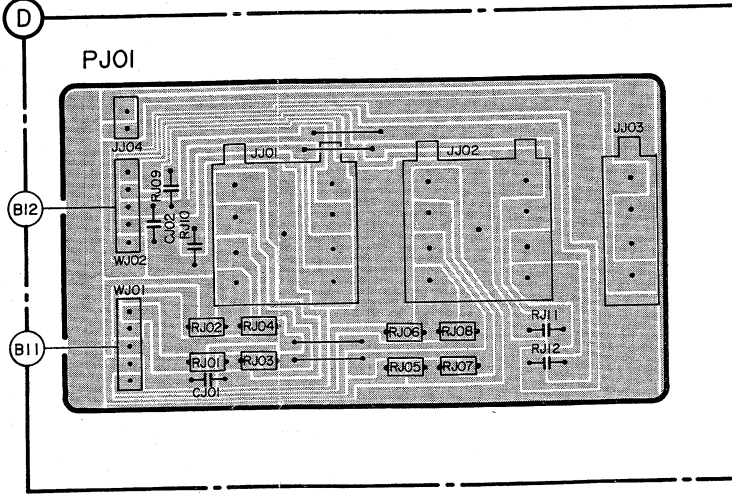
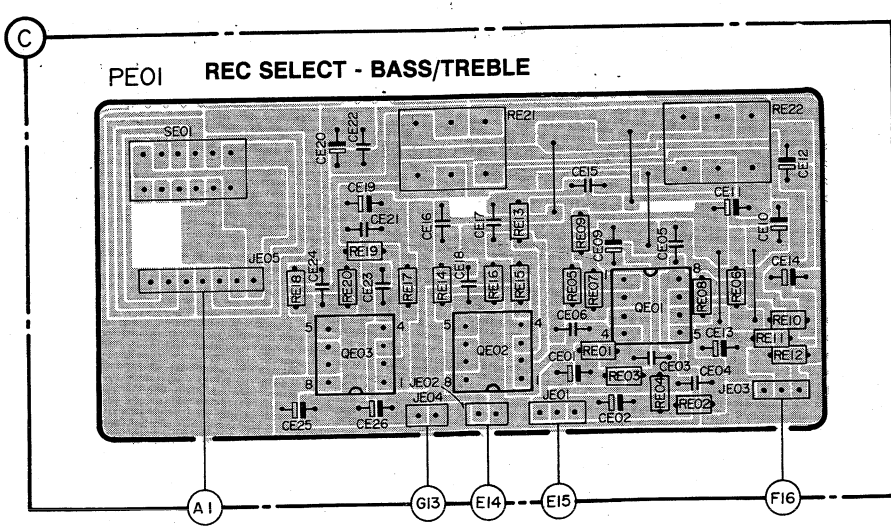
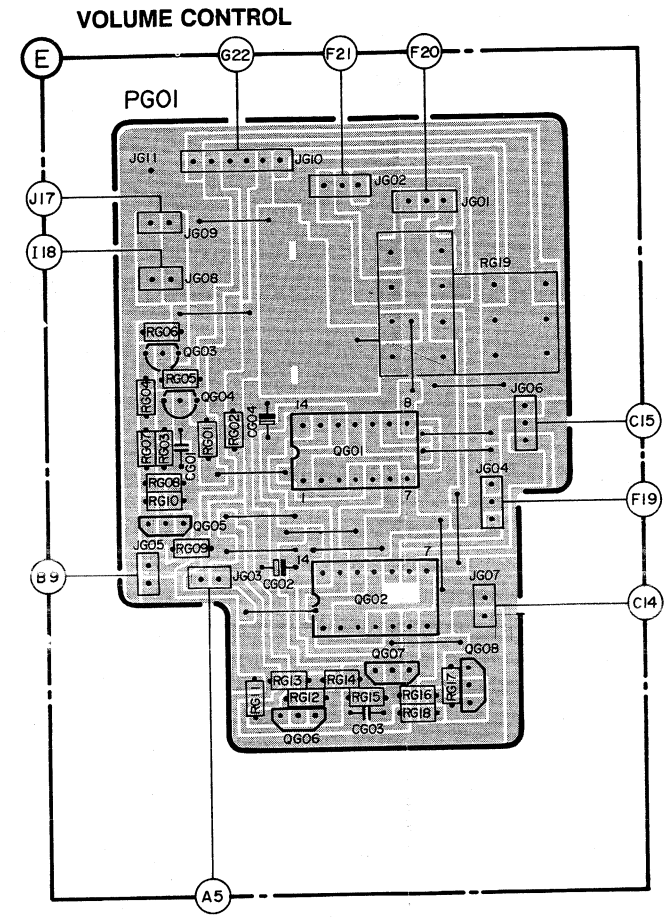
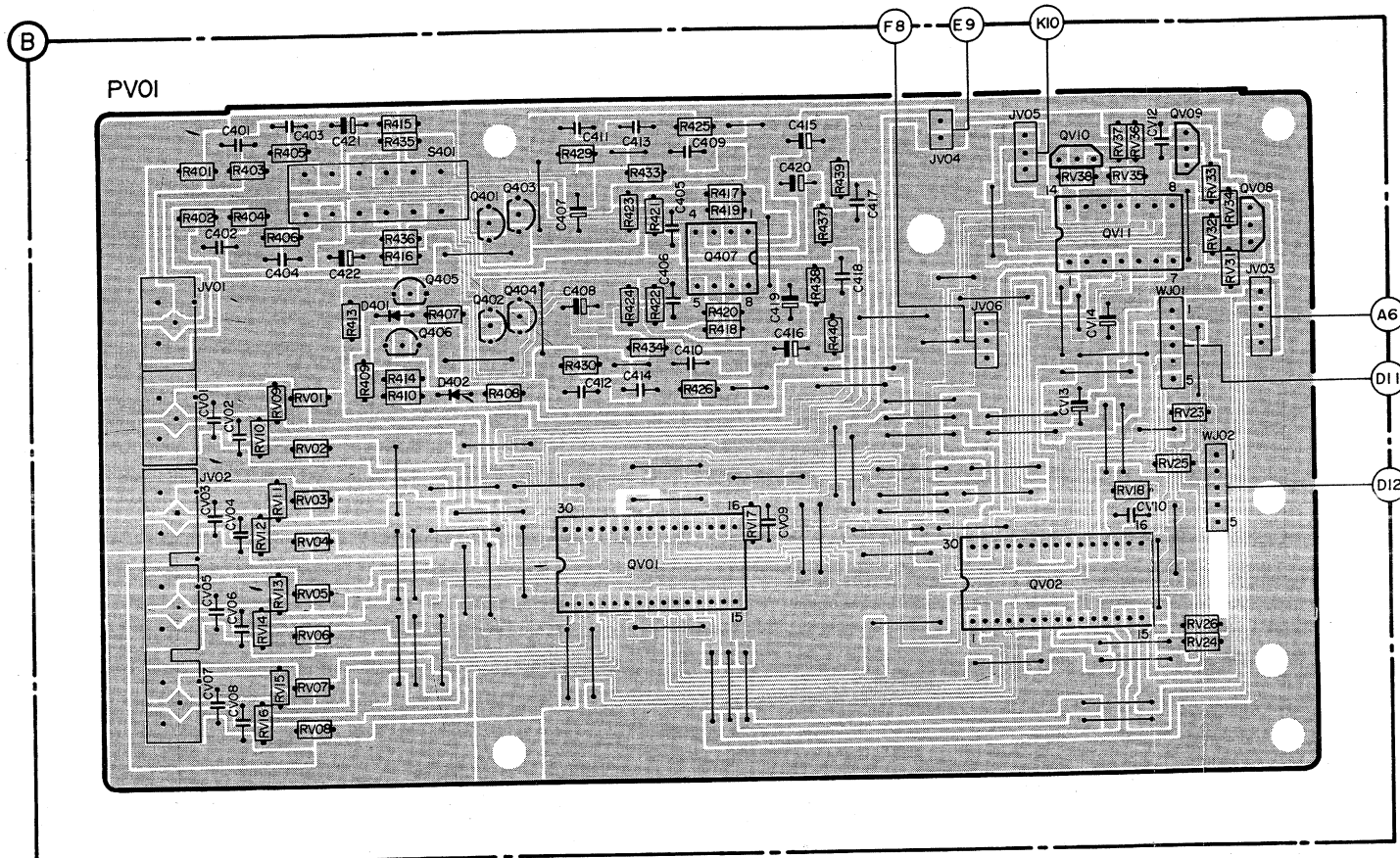
BALANCE/LOUDNESS



NOTE ON SAFETY:
 Symbol Δ Fire or electrical shock hazard. Only original parts should be used to replace any part marked with symbol Δ . Any other component substitution (other than original type), may increase risk of fire or electrical shock hazard.

WIRING DIAGRAMS

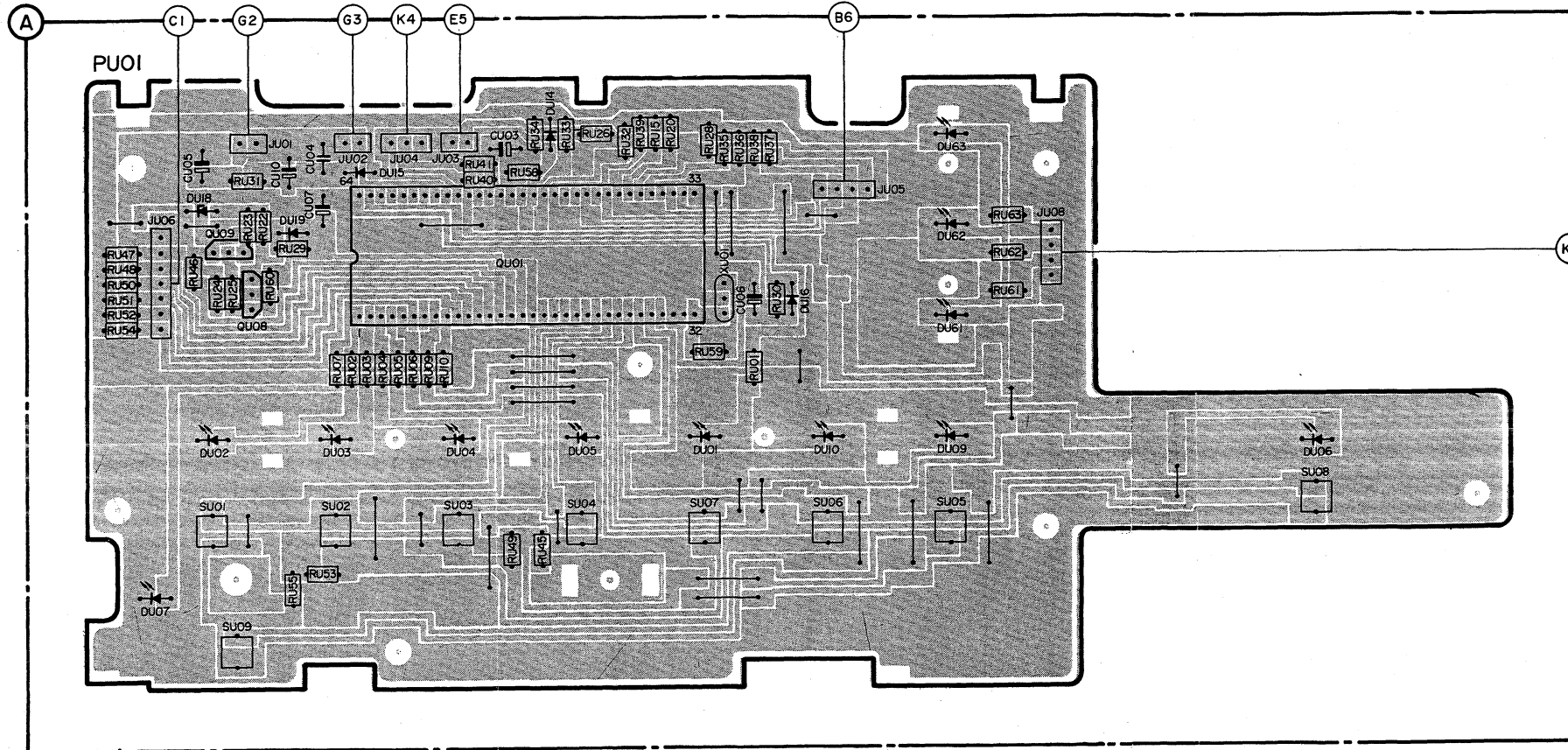
R	R401~R406	R413~R416	R407~R410	R429	R433	R417~R426	R437~R440	RV35~RV38	RV31~RV34	RG01~RG10	RG11~RG18	RG19	RE51	R				
R	RV01~RV16	R435	R436	R430	R434	RV17		RV18	RV23~RV26	RJ01~RJ04	RJ05~RJ08	RE53~RE56		C				
C	RE13~RE20	RE21	RE01~RE12	RE22				CV13	CV14	CV10	CV12	CE51~CE54		Q				
C	C401~C404	C421		C405~C414				C415~C420		CJ02	RJ09	RJ10	CJ01	D				
C	CV01	CV08	C422					CV09			RJ11	RJ12		S				
Q	CE19~CE26	CE15~CE18	CE01~CE06	CE09~CE14				QV01	Q407	QV02	QV08~QV11	QG03	QG05	QG01	QG02	QG06	QG08	
Q	QE03	QE02	QE01															SE51
D		D401	D402															
S		S401																



WIRING DIAGRAMS

R	RU46~RU48	RU31	RU29	RU02~RU07	RU09	RU10	RU41	RU40	RU58	RU32~RU34	RU15	RU20	RU28	RU35~RU39	RU61~RU63	R
C	CU05	CU10	CU04	CU07	CU03	CU06										C
Q	QU09	QU08			QU01											Q
D	DU07	DU18	DU02	DU19	DU03	DU15	DU04	DU14	DU05	DU01	DU16	DU10	DU09	DU61~DU63	DU06	D
S-X	SU01	SU09	SU02	SU03	SU04	SU07	XU01	SU06	SU06	SU06	SU06	SU06	SU06	SU08	S-X	

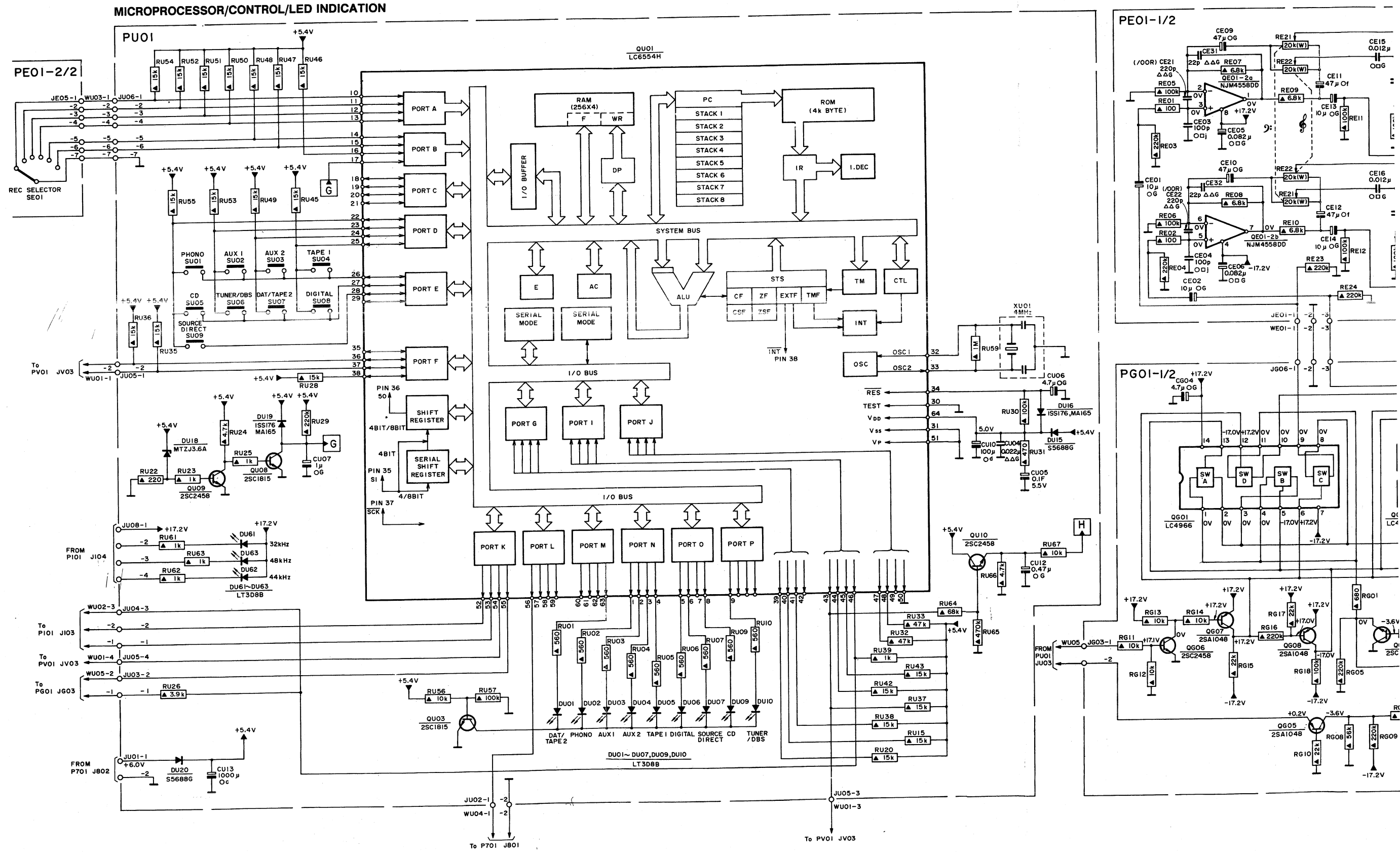
MICROPROCESSOR/CONTROL/LED INDICATION



	Carbon film	0.2 W	70°C	5%
	Carbon film	0.33 W	70°C	5%
	Metal film	0.33 W	70°C	5%
	Carbon film	0.5 W	70°C	5%
	Carbon film	0.67 W	70°C	5%
	Carbon film	1.15 W	70°C	5%
	Chip component			

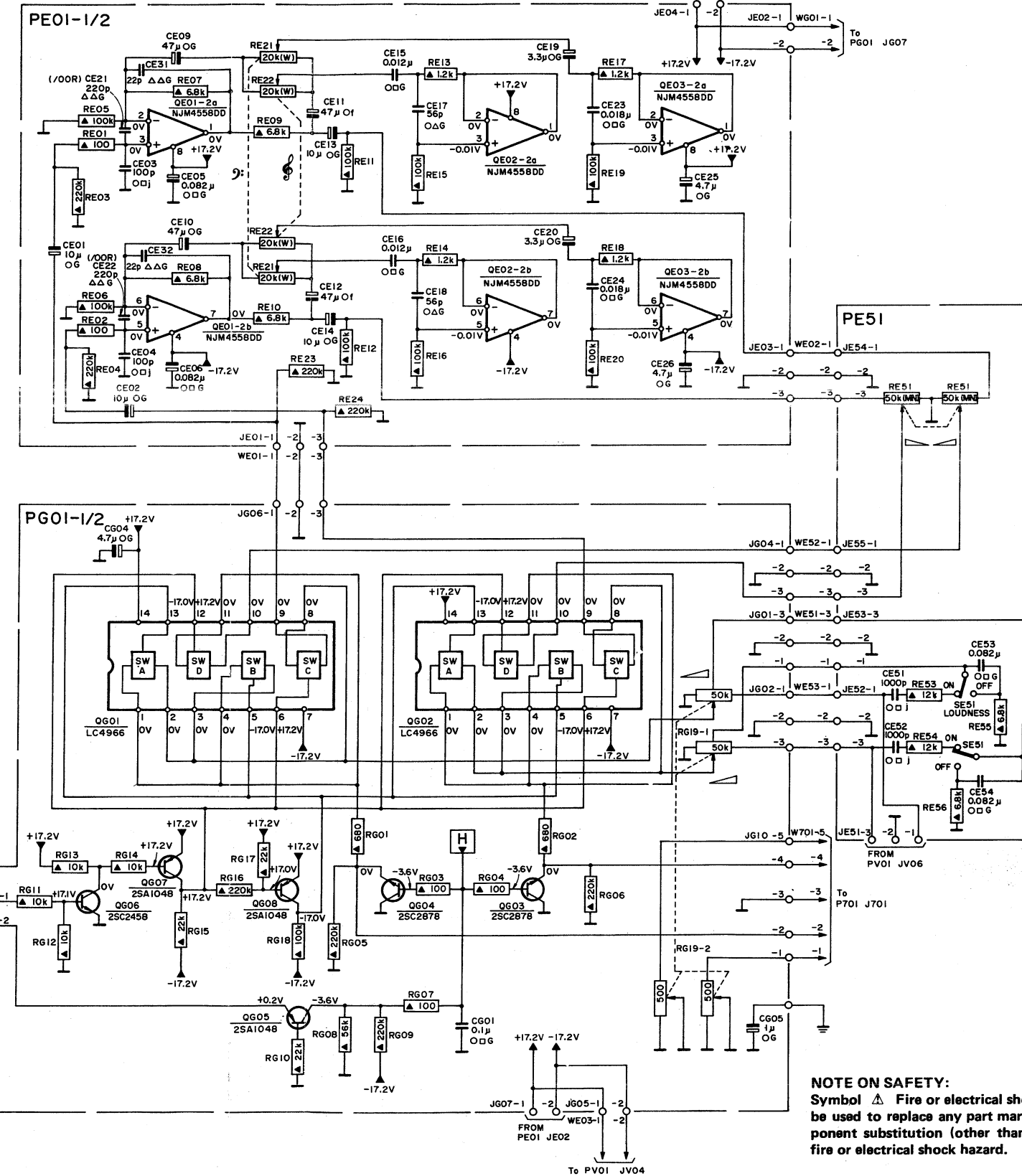
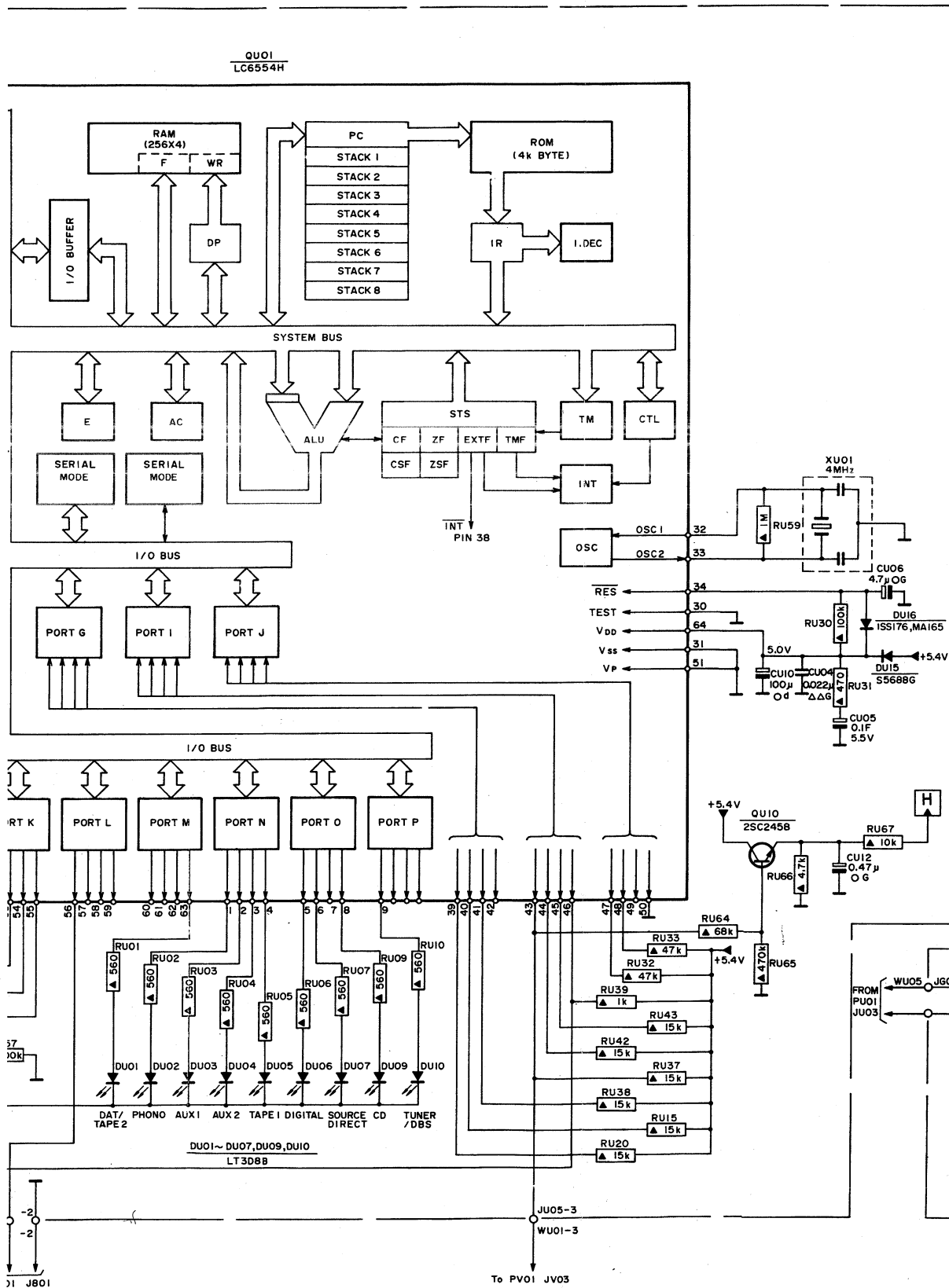
	Ceramic plate		
	Tuning ≤ 120 pF NP.0	2%	
	Others	-20/+80%	
	Polyester flat foil	10%	
	Metalized polyester flat film	10%	
	Polyester flat foil small size (Mylar)	10%	
	Polysterene film/foil	1%	
	Tubular ceramic		
	Miniature single		
	Subminiature tantalum	$\pm 20\%$	
			*a = 2.5 V
			b = 4 V
			c = 6.3 V
			d = 10 V
			e = 16 V
			f = 25 V
			g = 40 V
			h = 63 V
			j = 100 V
			l = 125 V
			m = 150 V
			n = 160 V
			q = 200 V
			r = 250 V
			s = 300 V
			t = 350 V
			u = 400 V
			v = 500 V
			w = 630 V
			x = 1000 V
			A = 1.6 V
			B = 6 V
			C = 12 V
			D = 15 V
			E = 20 V
			F = 35 V
			G = 50 V
			H = 75 V
			I = 80 V

R	RU36 RU35	RU45~RU55	RU29	RU56	RU57	RU01~RU07	RU09 RU10	RU37~RU39 RU42 RU43 RU15 RU20 RU32 RU33 RU64~RU67	RG10~RG18	RE01~RE12	RE21~RE24
C	RU22~RU26 RU61~RU63	CU13	CU07					CU10 CU04~CU06 CUI2	CE01~CE06 CE21 CE22	CG04 CE09 CE10 CE31 CE32	CE11~CE18
D-S	SE01	DU18 DU20 SU01~SU09 DU61~DU63 DU19	QU03			DU01~DU07	DU09 DU10	DU16 DU15		QE01 QG01 QG05~QG08	QG02~QG08
Q-L-X		QU09 QU08				QU01		QU10 XU01			



SCHEMATIC DIAGRAMS

RU01~RU07	RU09 RU10	RU37~RU39 RU42 RU43 RU15 RU20 RU32 RU33 RU64~RU67	RG10~RG18	RG01~RG09	RG19	RE51	R
DU01~DU07	DU09 DU10	DU16 DU15	CE01~CE06 CE21 CE22 CG04 CE09 CE10 CE31 CE32	CE11~CE18	CG01 CE19 CE20 CE23~CE26	CG05	C
QU01	QU10 XU01	QU01 QG01 QG05~QG08	QG02~QG04	QE02	QE03	SE51	D-S
							Q-L-X

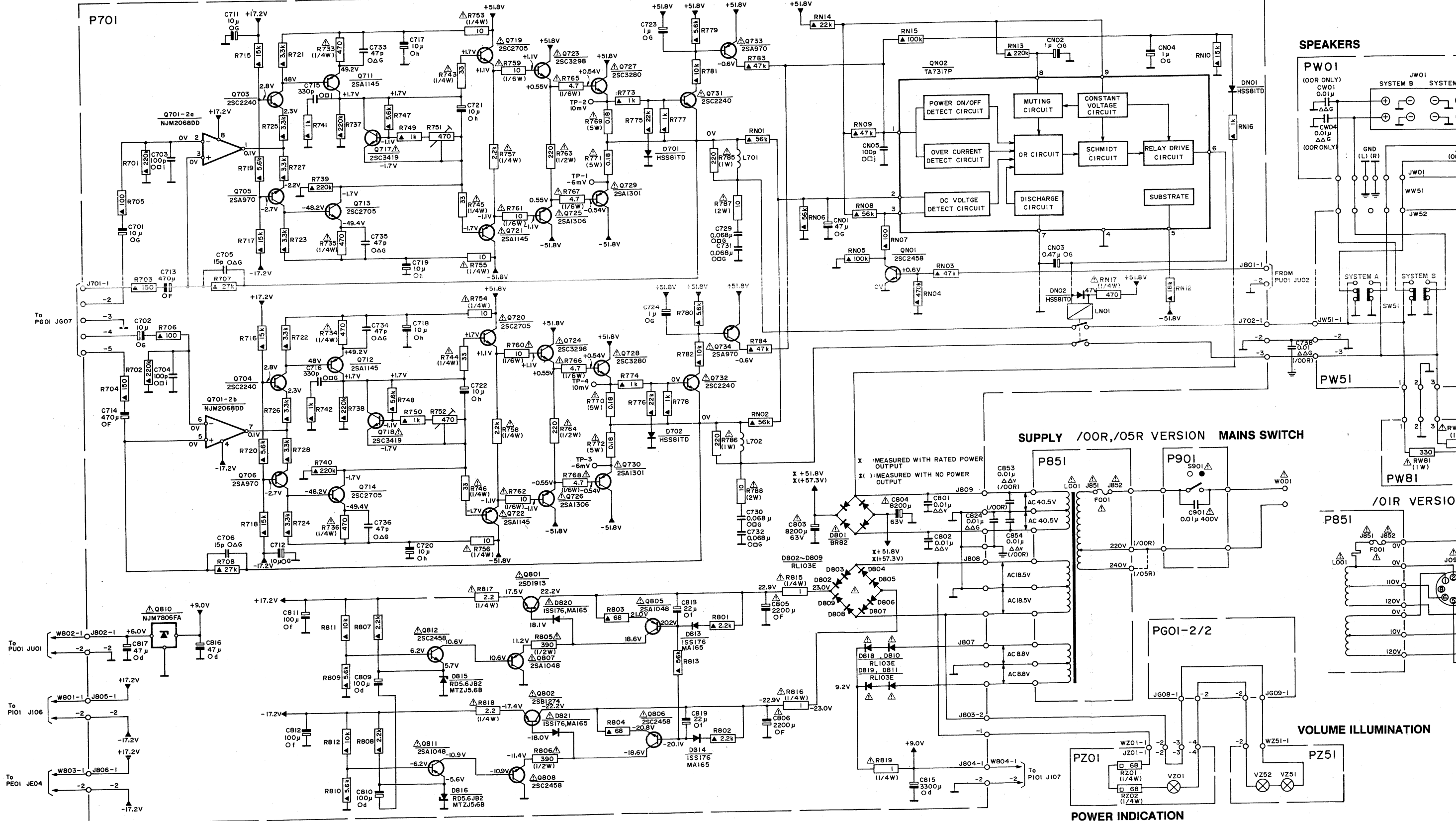


NOTE ON SAFETY:
 Symbol Δ Fire or electrical shock hazard. Only original parts should be used to replace any part marked with symbol Δ . Any other component substitution (other than original type), may increase risk of fire or electrical shock hazard.

SCHEMATIC DIAGRAMS

R	R701~R708	R715~R728	R733~R742	R743~R756	R757~R772	R773~R788	RN01 RN02	RN14 RN03~RN09	RN15	RN13	RN17	RN12	RN10 RN16	RWB1 R
C	C701~C706 C713	C711 C712	C715 C716	C733~C736 C717~C722	C723 C724	C729~C732	CN01	C801~C806	C815	C824 C853 C854	C901	C738	CW01~CW04	
D-L				D815 D816	D820 D821	D701 D702 D813 D814	L701 L702	D801~D811 D818 D819			LN01 DN02 L001	DN01		
Q-S-V	Q810	Q701	Q703~Q706	Q711~Q714 Q717 Q718 Q811 Q812	Q719~Q730 Q801 Q802 Q807 Q808	Q805 Q806 Q731~Q734	QNO1	QNO2			VZ01 S901	VZ52 VZ51	SW51	

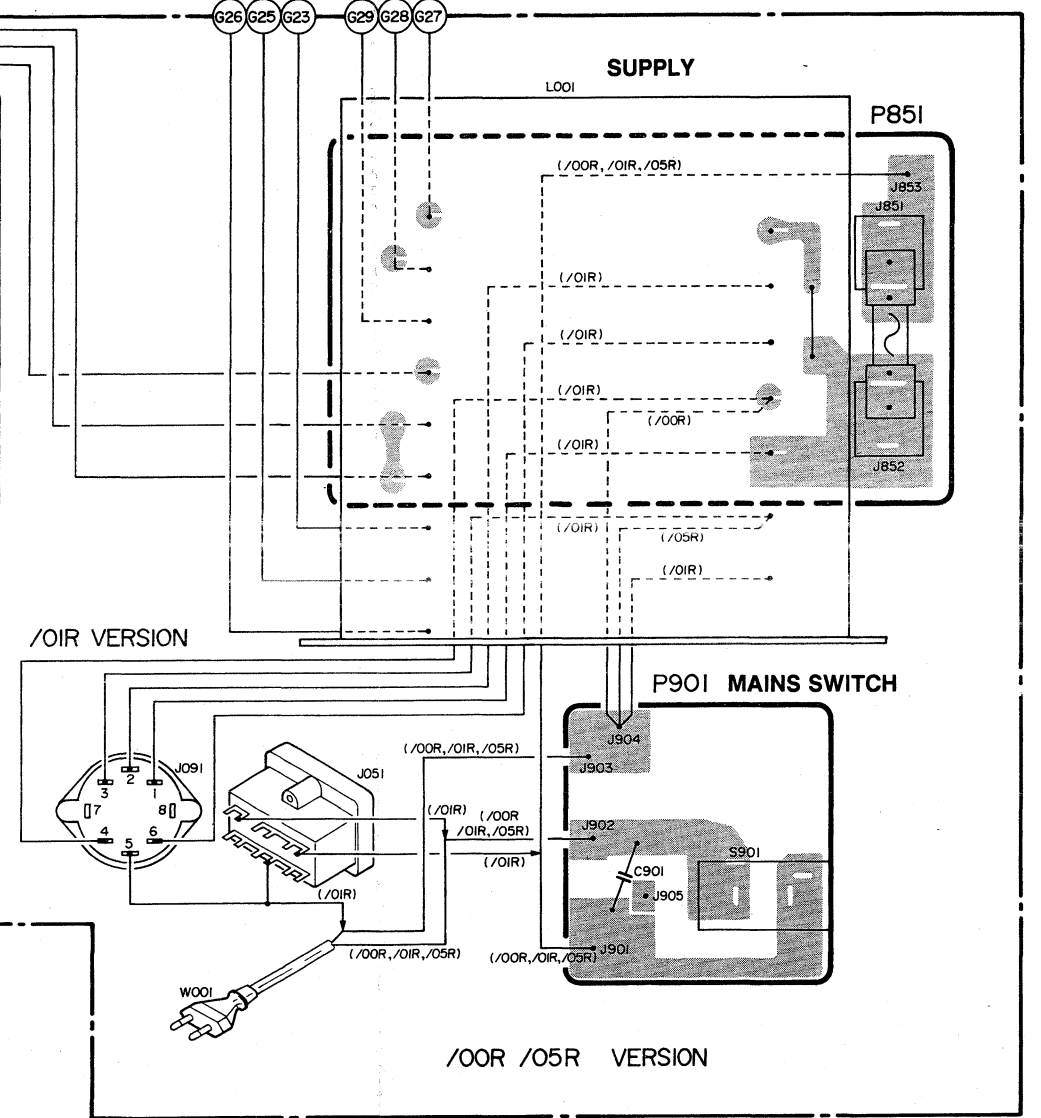
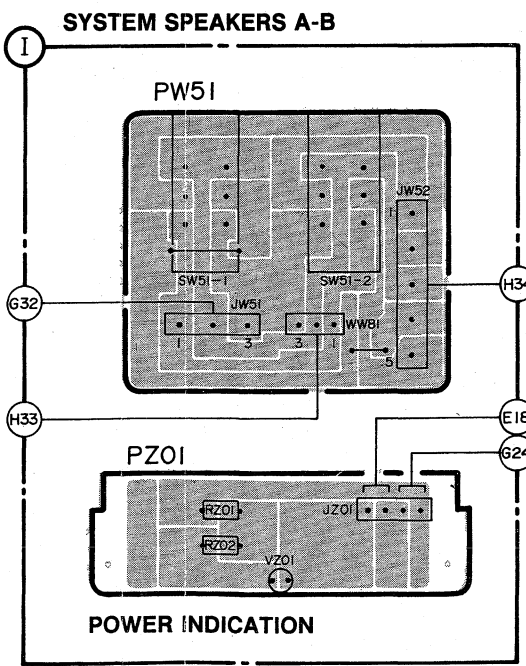
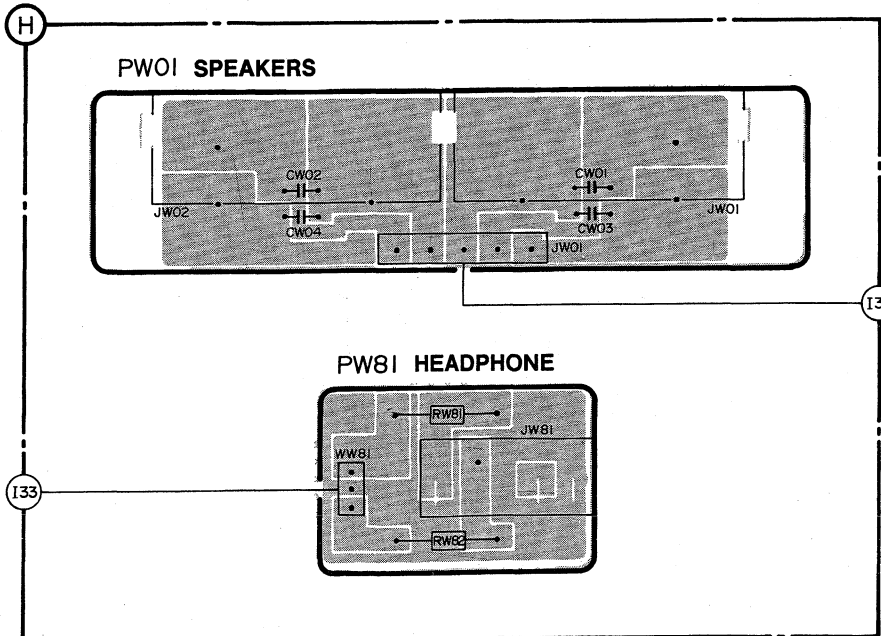
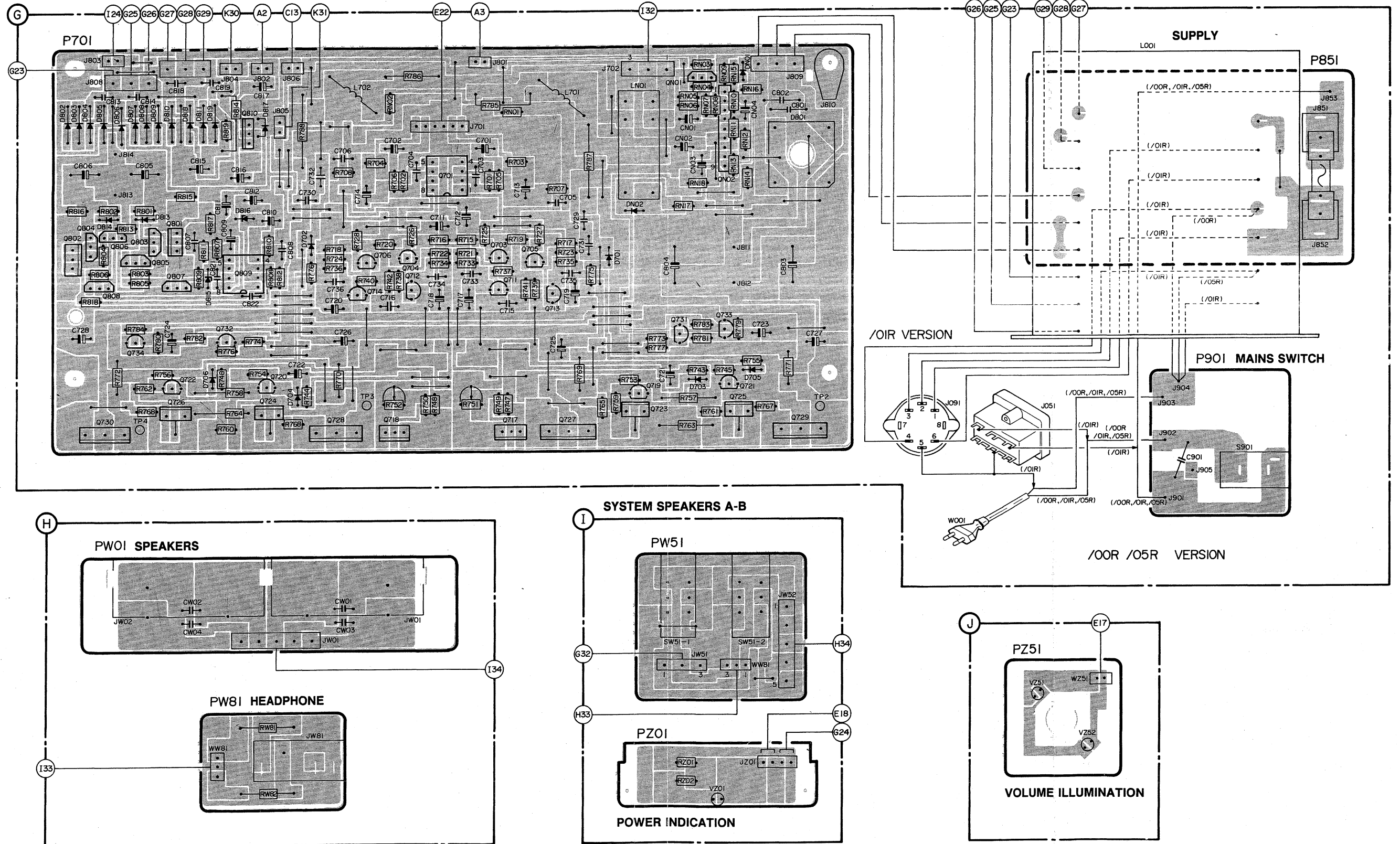
SUPPLY/POWER AMPLIFIER



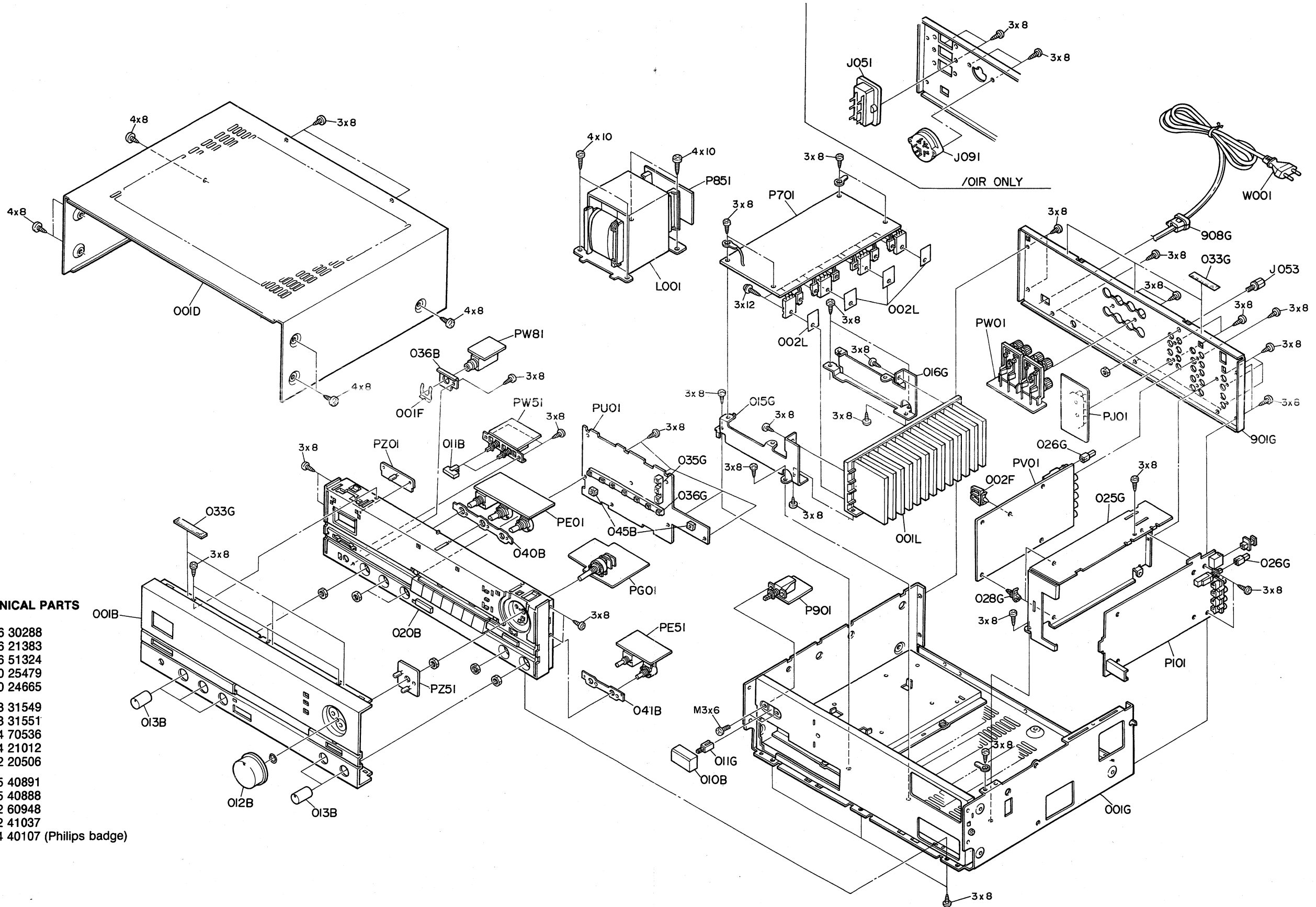
WIRING DIAGRAMS

R	R816 R818 R801~R806	R815 R817 R819 R814 R807	R812 R788	R708	RN02 R786 R701~R707	R785 RN01	R787	RN03~RN18		R							
C	C806 C813	C805 C814 C818	C815 C819 C816 C807~C812	C817 C730 C732 C706	C701~C704 C711~C714	C705 C729 C731	C804 CN01~CN04	C801~C803		C							
Q	Q801~Q808	Q809 Q810	Q732 Q724 Q720	Q728	Q703~Q706 Q701 Q711~Q714	Q717	Q727	Q719 Q723 Q731	Q733 Q725 Q721	Q729							
D	D802~D811 D814	D813 D818 D819 D815 D706	D816 D817	D704 D702	L702	L701	LNO1	D701 DNO2	D703	D705	D801	W001	VZ51	VZ52	L001	F001	F-L-S-VW

SUPPLY/POWER AMPLIFIER



EXPLODED VIEW



LIST OF MECHANICAL PARTS

J053	4822 266 30288
L001	4822 146 21383
001B	4822 426 51324
010B	4822 410 25479
011B	4822 410 24665
012B	4822 413 31549
013B	4822 413 31551
020B	4822 464 70536
011G	4822 404 21012
026G	4822 412 20506
035G	4822 255 40891
036G	4822 255 40888
908G	4822 532 60948
001F	4822 462 41037
	4822 454 40107 (Philips badge)

Note: Only the parts provided with a Service codenumber are available as service spare parts

	<table border="0"> <tr> <td>CE01,CE02, CE13,CE14</td> <td rowspan="2">}</td> <td>4822 124 22571</td> <td>Cap. Electr. 10μF 50V</td> </tr> <tr> <td>CE09,CE10, CN01</td> <td>4822 124 22276</td> <td>Cap. Electr. 47μF 50V</td> </tr> <tr> <td>CE11,CE12</td> <td></td> <td>4822 124 22698</td> <td>Cap. Electr. 47μF 25V</td> </tr> <tr> <td>CE19,CE20</td> <td></td> <td>4822 124 22696</td> <td>Cap. Electr. 3.3μF 50V</td> </tr> <tr> <td>CE25,CE26, CG02,CG04, CU06,CV13, CV14</td> <td rowspan="2">}</td> <td>4822 124 22274</td> <td>Cap. Electr. 4.7μF 50V</td> </tr> <tr> <td>CG05, CN02,CN04, CU07,C116, C121+C123, C128,C179, C180</td> <td>4822 124 41543</td> <td>Cap. Electr. 1μF 50V</td> </tr> <tr> <td>CU12,C124</td> <td></td> <td>4822 124 22273</td> <td>Cap. Electr. 0.47μF 50V</td> </tr> <tr> <td>C165+C170, C415, C416,C701, C702,C711, C712</td> <td rowspan="2">}</td> <td>4822 124 22571</td> <td>Cap. Electr. 10μF 50V</td> </tr> <tr> <td>CU05</td> <td>4822 124 41592</td> <td>Super Cap. 0.1F 5.5V</td> </tr> <tr> <td>CU10,C809, C810</td> <td rowspan="2">}</td> <td>4822 124 90353</td> <td>Cap. Electr. 100μF 10V</td> </tr> <tr> <td>CU13</td> <td>4822 124 22694</td> <td>Cap. Electr. 1000μF 63V</td> </tr> <tr> <td>C104,C106, C108,C117, C130,C173, C174,C816, C817</td> <td rowspan="2">}</td> <td>4822 124 22275</td> <td>Cap. Electr. 47μF 10V</td> </tr> <tr> <td>C147,C171, C172</td> <td>4822 124 41539</td> <td>Cap. Electr. 47μF 16V</td> </tr> <tr> <td>C175,C176</td> <td></td> <td>4822 124 22814</td> <td>Cap. Electr. 1000 μF10 V</td> </tr> <tr> <td>C407,C408</td> <td></td> <td>4822 124 22279</td> <td>Cap. Electr. 510μF 10V</td> </tr> <tr> <td>C419,C420</td> <td></td> <td>4822 124 22274</td> <td>Cap. Electr. 4.7μF 50V</td> </tr> <tr> <td>C421,C422</td> <td></td> <td>4822 124 22278</td> <td>Cap. Electr. 51μF 10V</td> </tr> <tr> <td>C713,C714</td> <td></td> <td>4822 124 41541</td> <td>Cap. Electr. 470μF 35V</td> </tr> <tr> <td>C717+C720</td> <td></td> <td>4822 124 22693</td> <td>Cap. Electr. 10μF 63V</td> </tr> <tr> <td>C803,C804</td> <td></td> <td>4822 124 22691</td> <td>Cap. Electr. 8200μF 63V</td> </tr> <tr> <td>C805,C806</td> <td></td> <td>4822 124 22695</td> <td>Cap. Electr. 2200μF 35V</td> </tr> <tr> <td>C811,C812</td> <td></td> <td>4822 124 41535</td> <td>Cap. Electr. 100μF 25V</td> </tr> <tr> <td>C815</td> <td></td> <td>4822 124 22697</td> <td>Cap. Electr. 3300μF 10V</td> </tr> <tr> <td>C901</td> <td></td> <td>4822 124 33276</td> <td>Cap. Ceramic. 0.01μF 400V</td> </tr> </table>	CE01,CE02, CE13,CE14	}	4822 124 22571	Cap. Electr. 10 μ F 50V	CE09,CE10, CN01	4822 124 22276	Cap. Electr. 47 μ F 50V	CE11,CE12		4822 124 22698	Cap. Electr. 47 μ F 25V	CE19,CE20		4822 124 22696	Cap. Electr. 3.3 μ F 50V	CE25,CE26, CG02,CG04, CU06,CV13, CV14	}	4822 124 22274	Cap. Electr. 4.7 μ F 50V	CG05, CN02,CN04, CU07,C116, C121+C123, C128,C179, C180	4822 124 41543	Cap. Electr. 1 μ F 50V	CU12,C124		4822 124 22273	Cap. Electr. 0.47 μ F 50V	C165+C170, C415, C416,C701, C702,C711, C712	}	4822 124 22571	Cap. Electr. 10 μ F 50V	CU05	4822 124 41592	Super Cap. 0.1F 5.5V	CU10,C809, C810	}	4822 124 90353	Cap. Electr. 100 μ F 10V	CU13	4822 124 22694	Cap. Electr. 1000 μ F 63V	C104,C106, C108,C117, C130,C173, C174,C816, C817	}	4822 124 22275	Cap. Electr. 47 μ F 10V	C147,C171, C172	4822 124 41539	Cap. Electr. 47 μ F 16V	C175,C176		4822 124 22814	Cap. Electr. 1000 μ F10 V	C407,C408		4822 124 22279	Cap. Electr. 510 μ F 10V	C419,C420		4822 124 22274	Cap. Electr. 4.7 μ F 50V	C421,C422		4822 124 22278	Cap. Electr. 51 μ F 10V	C713,C714		4822 124 41541	Cap. Electr. 470 μ F 35V	C717+C720		4822 124 22693	Cap. Electr. 10 μ F 63V	C803,C804		4822 124 22691	Cap. Electr. 8200 μ F 63V	C805,C806		4822 124 22695	Cap. Electr. 2200 μ F 35V	C811,C812		4822 124 41535	Cap. Electr. 100 μ F 25V	C815		4822 124 22697	Cap. Electr. 3300 μ F 10V	C901		4822 124 33276	Cap. Ceramic. 0.01 μ F 400V		<table border="0"> <tr> <td>2SA1301 R or O</td> <td>4822 130 60109</td> </tr> <tr> <td>2SA1306 O or Y</td> <td>4822 130 61358</td> </tr> <tr> <td>2SB1274 Q,R</td> <td>4822 130 61359</td> </tr> <tr> <td>2SC2240 GR or BL</td> <td>4822 130 43233</td> </tr> <tr> <td>2SC2240 GR</td> <td>4822 130 43231</td> </tr> <tr> <td>2SC2458 Y or GR</td> <td>4822 130 60839</td> </tr> <tr> <td>2SC2705 O or Y</td> <td>4822 130 43283</td> </tr> <tr> <td>2SC2878 A or BR</td> <td>4822 130 43819</td> </tr> <tr> <td>2SC3280 R or O</td> <td>4822 130 60116</td> </tr> <tr> <td>2SC3298 O or Y</td> <td>4822 130 61362</td> </tr> <tr> <td>2SD1913 Q,R</td> <td>4822 130 61363</td> </tr> <tr> <td>2SK369 BL</td> <td>4822 130 42839</td> </tr> <tr> <td>2SK372 GR/BL</td> <td>4822 130 42842</td> </tr> </table>	2SA1301 R or O	4822 130 60109	2SA1306 O or Y	4822 130 61358	2SB1274 Q,R	4822 130 61359	2SC2240 GR or BL	4822 130 43233	2SC2240 GR	4822 130 43231	2SC2458 Y or GR	4822 130 60839	2SC2705 O or Y	4822 130 43283	2SC2878 A or BR	4822 130 43819	2SC3280 R or O	4822 130 60116	2SC3298 O or Y	4822 130 61362	2SD1913 Q,R	4822 130 61363	2SK369 BL	4822 130 42839	2SK372 GR/BL	4822 130 42842																											
CE01,CE02, CE13,CE14	}	4822 124 22571		Cap. Electr. 10 μ F 50V																																																																																																																																															
CE09,CE10, CN01		4822 124 22276	Cap. Electr. 47 μ F 50V																																																																																																																																																
CE11,CE12		4822 124 22698	Cap. Electr. 47 μ F 25V																																																																																																																																																
CE19,CE20		4822 124 22696	Cap. Electr. 3.3 μ F 50V																																																																																																																																																
CE25,CE26, CG02,CG04, CU06,CV13, CV14	}	4822 124 22274	Cap. Electr. 4.7 μ F 50V																																																																																																																																																
CG05, CN02,CN04, CU07,C116, C121+C123, C128,C179, C180		4822 124 41543	Cap. Electr. 1 μ F 50V																																																																																																																																																
CU12,C124		4822 124 22273	Cap. Electr. 0.47 μ F 50V																																																																																																																																																
C165+C170, C415, C416,C701, C702,C711, C712	}	4822 124 22571	Cap. Electr. 10 μ F 50V																																																																																																																																																
CU05		4822 124 41592	Super Cap. 0.1F 5.5V																																																																																																																																																
CU10,C809, C810	}	4822 124 90353	Cap. Electr. 100 μ F 10V																																																																																																																																																
CU13		4822 124 22694	Cap. Electr. 1000 μ F 63V																																																																																																																																																
C104,C106, C108,C117, C130,C173, C174,C816, C817	}	4822 124 22275	Cap. Electr. 47 μ F 10V																																																																																																																																																
C147,C171, C172		4822 124 41539	Cap. Electr. 47 μ F 16V																																																																																																																																																
C175,C176		4822 124 22814	Cap. Electr. 1000 μ F10 V																																																																																																																																																
C407,C408		4822 124 22279	Cap. Electr. 510 μ F 10V																																																																																																																																																
C419,C420		4822 124 22274	Cap. Electr. 4.7 μ F 50V																																																																																																																																																
C421,C422		4822 124 22278	Cap. Electr. 51 μ F 10V																																																																																																																																																
C713,C714		4822 124 41541	Cap. Electr. 470 μ F 35V																																																																																																																																																
C717+C720		4822 124 22693	Cap. Electr. 10 μ F 63V																																																																																																																																																
C803,C804		4822 124 22691	Cap. Electr. 8200 μ F 63V																																																																																																																																																
C805,C806		4822 124 22695	Cap. Electr. 2200 μ F 35V																																																																																																																																																
C811,C812		4822 124 41535	Cap. Electr. 100 μ F 25V																																																																																																																																																
C815		4822 124 22697	Cap. Electr. 3300 μ F 10V																																																																																																																																																
C901		4822 124 33276	Cap. Ceramic. 0.01 μ F 400V																																																																																																																																																
2SA1301 R or O	4822 130 60109																																																																																																																																																		
2SA1306 O or Y	4822 130 61358																																																																																																																																																		
2SB1274 Q,R	4822 130 61359																																																																																																																																																		
2SC2240 GR or BL	4822 130 43233																																																																																																																																																		
2SC2240 GR	4822 130 43231																																																																																																																																																		
2SC2458 Y or GR	4822 130 60839																																																																																																																																																		
2SC2705 O or Y	4822 130 43283																																																																																																																																																		
2SC2878 A or BR	4822 130 43819																																																																																																																																																		
2SC3280 R or O	4822 130 60116																																																																																																																																																		
2SC3298 O or Y	4822 130 61362																																																																																																																																																		
2SD1913 Q,R	4822 130 61363																																																																																																																																																		
2SK369 BL	4822 130 42839																																																																																																																																																		
2SK372 GR/BL	4822 130 42842																																																																																																																																																		
			<table border="0"> <tr> <td>LC6554H-3842</td> <td>4822 209 73955</td> </tr> <tr> <td>LC4966</td> <td>4822 209 83804</td> </tr> <tr> <td>LC7821</td> <td>4822 209 72357</td> </tr> <tr> <td>NJM-2068-DD</td> <td>4822 209 73064</td> </tr> <tr> <td>NJM4558D-D</td> <td>4822 209 83631</td> </tr> <tr> <td>NJM4560D-D</td> <td>4822 209 83274</td> </tr> <tr> <td>NJM78LO5A</td> <td>4822 209 70082</td> </tr> <tr> <td>NJM7806FA</td> <td>4822 209 73674</td> </tr> <tr> <td>NJM79LO5A</td> <td>4822 209 83825</td> </tr> <tr> <td>TA7317P</td> <td>4822 209 83312</td> </tr> <tr> <td>TC74HC00P</td> <td>4822 209 72322</td> </tr> <tr> <td>TC74HCU04P</td> <td>4822 209 72323</td> </tr> <tr> <td>TC74HC74P</td> <td>4822 209 72333</td> </tr> <tr> <td>TC74HC86P</td> <td>4822 209 73676</td> </tr> <tr> <td>TDA1541A/N2</td> <td>4822 209 72969</td> </tr> <tr> <td>μPD4555</td> <td>4822 209 11767</td> </tr> <tr> <td>YM3623B</td> <td>4822 209 73668</td> </tr> <tr> <td>2SAA7220P/B</td> <td>4822 209 72545</td> </tr> </table>	LC6554H-3842	4822 209 73955	LC4966	4822 209 83804	LC7821	4822 209 72357	NJM-2068-DD	4822 209 73064	NJM4558D-D	4822 209 83631	NJM4560D-D	4822 209 83274	NJM78LO5A	4822 209 70082	NJM7806FA	4822 209 73674	NJM79LO5A	4822 209 83825	TA7317P	4822 209 83312	TC74HC00P	4822 209 72322	TC74HCU04P	4822 209 72323	TC74HC74P	4822 209 72333	TC74HC86P	4822 209 73676	TDA1541A/N2	4822 209 72969	μ PD4555	4822 209 11767	YM3623B	4822 209 73668	2SAA7220P/B	4822 209 72545																																																																																																												
LC6554H-3842	4822 209 73955																																																																																																																																																		
LC4966	4822 209 83804																																																																																																																																																		
LC7821	4822 209 72357																																																																																																																																																		
NJM-2068-DD	4822 209 73064																																																																																																																																																		
NJM4558D-D	4822 209 83631																																																																																																																																																		
NJM4560D-D	4822 209 83274																																																																																																																																																		
NJM78LO5A	4822 209 70082																																																																																																																																																		
NJM7806FA	4822 209 73674																																																																																																																																																		
NJM79LO5A	4822 209 83825																																																																																																																																																		
TA7317P	4822 209 83312																																																																																																																																																		
TC74HC00P	4822 209 72322																																																																																																																																																		
TC74HCU04P	4822 209 72323																																																																																																																																																		
TC74HC74P	4822 209 72333																																																																																																																																																		
TC74HC86P	4822 209 73676																																																																																																																																																		
TDA1541A/N2	4822 209 72969																																																																																																																																																		
μ PD4555	4822 209 11767																																																																																																																																																		
YM3623B	4822 209 73668																																																																																																																																																		
2SAA7220P/B	4822 209 72545																																																																																																																																																		
			<table border="0"> <tr> <td>BR82</td> <td>4822 130 81093</td> </tr> <tr> <td>HSS81TD</td> <td>4822 130 80837</td> </tr> <tr> <td>LT3D8B RED</td> <td>4822 130 80326</td> </tr> <tr> <td>MTZJ3.6A</td> <td>4822 130 80316</td> </tr> <tr> <td>MTZJ3.9A</td> <td>4822 130 80132</td> </tr> <tr> <td>NTJ15B</td> <td>4822 130 80322</td> </tr> <tr> <td>RL103E</td> <td>4822 130 32508</td> </tr> <tr> <td>RD4.7JB2,MTZJ4.7B</td> <td>4822 130 33759</td> </tr> <tr> <td>RD5.6JB2,MTZJ5.6B</td> <td>4822 130 33948</td> </tr> <tr> <td>S5688G</td> <td>4822 130 80839</td> </tr> <tr> <td>1SS176,MA165,1SS254</td> <td>4822 130 33305</td> </tr> </table>	BR82	4822 130 81093	HSS81TD	4822 130 80837	LT3D8B RED	4822 130 80326	MTZJ3.6A	4822 130 80316	MTZJ3.9A	4822 130 80132	NTJ15B	4822 130 80322	RL103E	4822 130 32508	RD4.7JB2,MTZJ4.7B	4822 130 33759	RD5.6JB2,MTZJ5.6B	4822 130 33948	S5688G	4822 130 80839	1SS176,MA165,1SS254	4822 130 33305																																																																																																																										
BR82	4822 130 81093																																																																																																																																																		
HSS81TD	4822 130 80837																																																																																																																																																		
LT3D8B RED	4822 130 80326																																																																																																																																																		
MTZJ3.6A	4822 130 80316																																																																																																																																																		
MTZJ3.9A	4822 130 80132																																																																																																																																																		
NTJ15B	4822 130 80322																																																																																																																																																		
RL103E	4822 130 32508																																																																																																																																																		
RD4.7JB2,MTZJ4.7B	4822 130 33759																																																																																																																																																		
RD5.6JB2,MTZJ5.6B	4822 130 33948																																																																																																																																																		
S5688G	4822 130 80839																																																																																																																																																		
1SS176,MA165,1SS254	4822 130 33305																																																																																																																																																		
	<table border="0"> <tr> <td>RE21,RE22</td> <td>4822 101 30574</td> <td>Potm. 20K bass, treble</td> </tr> <tr> <td>RE51</td> <td>4822 101 30575</td> <td>Potm. 50K balance, volume</td> </tr> <tr> <td>RG19</td> <td>4822 102 30466</td> <td>Potm. 50K master volume</td> </tr> <tr> <td>RN17</td> <td>4822 116 81316</td> <td>Res. fusible 470Ω 1/4W</td> </tr> <tr> <td>RW81,RW82</td> <td>4822 111 50474</td> <td>Res. safety 330Ω 1W</td> </tr> <tr> <td>R175,R176</td> <td>4822 116 60342</td> <td>Res. safety 180Ω 1W</td> </tr> <tr> <td>R177</td> <td>4822 116 60527</td> <td>Res. safety 1.8Ω 1W</td> </tr> <tr> <td>R178</td> <td>4822 115 90314</td> <td>Res. fuse 68Ω 1/4W</td> </tr> <tr> <td>R733+R736</td> <td>4822 116 81316</td> <td>Res. fusible 470Ω 1/4W</td> </tr> <tr> <td>R743+R746</td> <td>4822 115 90198</td> <td>Res. fuse 33Ω 1/4W</td> </tr> <tr> <td>R751,R752</td> <td>4822 100 11426</td> <td>Potm. trimmer 470Ω</td> </tr> <tr> <td>R753+R756</td> <td>4822 115 90166</td> <td>Res. fuse 10Ω 1/4W</td> </tr> <tr> <td>R757,R758</td> <td>4822 116 81315</td> <td>Res. fuse 2.2K 1W</td> </tr> <tr> <td>R759+R762</td> <td>4822 111 91291</td> <td>Res. safety 10Ω 1/6W</td> </tr> <tr> <td>R763,R764</td> <td>4822 116 60319</td> <td>Res. fusible 220Ω 1/2W</td> </tr> <tr> <td>R765+R768</td> <td>4822 116 80955</td> <td>Res. safety 4.7Ω 1/4W</td> </tr> <tr> <td>R769+R772</td> <td>4822 116 80153</td> <td>Res. metal 0.18Ω 5W</td> </tr> <tr> <td>R785,R786</td> <td>4822 116 60246</td> <td>Res. safety 220Ω 1W</td> </tr> <tr> <td>R787,R788</td> <td>4822 111 90726</td> <td>Res. safety 10Ω 2W</td> </tr> <tr> <td>R815,R816</td> <td>4822 116 52976</td> <td>Res. safety 1Ω 1/4W</td> </tr> <tr> <td>R817+R818</td> <td>4822 116 60309</td> <td>Res. fusible 2.2Ω 1/4W</td> </tr> <tr> <td>R819</td> <td>4822 116 60307</td> <td>Res. fusible 1Ω 1/4W</td> </tr> </table>	RE21,RE22	4822 101 30574	Potm. 20K bass, treble	RE51	4822 101 30575	Potm. 50K balance, volume	RG19	4822 102 30466	Potm. 50K master volume	RN17	4822 116 81316	Res. fusible 470 Ω 1/4W	RW81,RW82	4822 111 50474	Res. safety 330 Ω 1W	R175,R176	4822 116 60342	Res. safety 180 Ω 1W	R177	4822 116 60527	Res. safety 1.8 Ω 1W	R178	4822 115 90314	Res. fuse 68 Ω 1/4W	R733+R736	4822 116 81316	Res. fusible 470 Ω 1/4W	R743+R746	4822 115 90198	Res. fuse 33 Ω 1/4W	R751,R752	4822 100 11426	Potm. trimmer 470 Ω	R753+R756	4822 115 90166	Res. fuse 10 Ω 1/4W	R757,R758	4822 116 81315	Res. fuse 2.2K 1W	R759+R762	4822 111 91291	Res. safety 10 Ω 1/6W	R763,R764	4822 116 60319	Res. fusible 220 Ω 1/2W	R765+R768	4822 116 80955	Res. safety 4.7 Ω 1/4W	R769+R772	4822 116 80153	Res. metal 0.18 Ω 5W	R785,R786	4822 116 60246	Res. safety 220 Ω 1W	R787,R788	4822 111 90726	Res. safety 10 Ω 2W	R815,R816	4822 116 52976	Res. safety 1 Ω 1/4W	R817+R818	4822 116 60309	Res. fusible 2.2 Ω 1/4W	R819	4822 116 60307	Res. fusible 1 Ω 1/4W	<p>MISCELLANEOUS</p>	<table border="0"> <tr> <td>F001</td> <td>4822 253 40166</td> <td>Fuse T2-5A 250V</td> </tr> <tr> <td>JJ01,JJ02</td> <td>4822 265 30512</td> <td>Jack 4p</td> </tr> <tr> <td>JV01</td> <td>4822 267 20348</td> <td>Jack 4p</td> </tr> <tr> <td>JV02</td> <td>4822 266 30285</td> <td>Jack 6p</td> </tr> <tr> <td>JW01</td> <td>4822 266 30279</td> <td>Speaker terminal</td> </tr> <tr> <td>JW02</td> <td>4822 266 30281</td> <td>Speaker terminal</td> </tr> <tr> <td>JW81</td> <td>4822 267 30617</td> <td>Headphone jack</td> </tr> <tr> <td>J053</td> <td>4822 290 40297</td> <td>Ground terminal</td> </tr> <tr> <td>J101</td> <td>4822 264 30217</td> <td>Connector</td> </tr> <tr> <td>J102</td> <td>4822 266 30324</td> <td>Terminal</td> </tr> <tr> <td>LN01</td> <td>4822 280 91103</td> <td>Relay DC 48V</td> </tr> <tr> <td>L001</td> <td>4822 146 21383</td> <td>Transf, mains</td> </tr> <tr> <td>L101,L102</td> <td>4822 157 53801</td> <td>Coil 147μH</td> </tr> <tr> <td>L103</td> <td>4822 157 53836</td> <td>Coil</td> </tr> <tr> <td>L105</td> <td>4822 142 60388</td> <td>Transf, puls</td> </tr> <tr> <td>L701,L702</td> <td>4822 157 51739</td> <td>Coil, choke</td> </tr> <tr> <td>SE01</td> <td>4822 273 80336</td> <td>Switch, ratary</td> </tr> <tr> <td>SE51</td> <td>4822 273 20307</td> <td>Switch, ratary</td> </tr> <tr> <td>SU01+SU09</td> <td>4822 276 12455</td> <td>Switch, pushbut</td> </tr> <tr> <td>SW51</td> <td>4822 276 12506</td> <td>Push switch</td> </tr> <tr> <td>S101</td> <td>4822 276 20458</td> <td>Push switch</td> </tr> <tr> <td>S401</td> <td>4822 276 20468</td> <td>Push switch</td> </tr> <tr> <td>S901</td> <td>4822 276 12026</td> <td>Push switch</td> </tr> <tr> <td>VZ01,VZ51,VZ52</td> <td>4822 134 40886</td> <td>Lamp 12V 75mA</td> </tr> <tr> <td>XU01</td> <td>4822 242 72221</td> <td>Cer. filter 4 MHz</td> </tr> <tr> <td>X101</td> <td>4822 242 72334</td> <td>Cer. filter 16,9344 MHz</td> </tr> </table>	F001	4822 253 40166	Fuse T2-5A 250V	JJ01,JJ02	4822 265 30512	Jack 4p	JV01	4822 267 20348	Jack 4p	JV02	4822 266 30285	Jack 6p	JW01	4822 266 30279	Speaker terminal	JW02	4822 266 30281	Speaker terminal	JW81	4822 267 30617	Headphone jack	J053	4822 290 40297	Ground terminal	J101	4822 264 30217	Connector	J102	4822 266 30324	Terminal	LN01	4822 280 91103	Relay DC 48V	L001	4822 146 21383	Transf, mains	L101,L102	4822 157 53801	Coil 147 μ H	L103	4822 157 53836	Coil	L105	4822 142 60388	Transf, puls	L701,L702	4822 157 51739	Coil, choke	SE01	4822 273 80336	Switch, ratary	SE51	4822 273 20307	Switch, ratary	SU01+SU09	4822 276 12455	Switch, pushbut	SW51	4822 276 12506	Push switch	S101	4822 276 20458	Push switch	S401	4822 276 20468	Push switch	S901	4822 276 12026	Push switch	VZ01,VZ51,VZ52	4822 134 40886	Lamp 12V 75mA	XU01	4822 242 72221	Cer. filter 4 MHz	X101	4822 242 72334	Cer. filter 16,9344 MHz
RE21,RE22	4822 101 30574	Potm. 20K bass, treble																																																																																																																																																	
RE51	4822 101 30575	Potm. 50K balance, volume																																																																																																																																																	
RG19	4822 102 30466	Potm. 50K master volume																																																																																																																																																	
RN17	4822 116 81316	Res. fusible 470 Ω 1/4W																																																																																																																																																	
RW81,RW82	4822 111 50474	Res. safety 330 Ω 1W																																																																																																																																																	
R175,R176	4822 116 60342	Res. safety 180 Ω 1W																																																																																																																																																	
R177	4822 116 60527	Res. safety 1.8 Ω 1W																																																																																																																																																	
R178	4822 115 90314	Res. fuse 68 Ω 1/4W																																																																																																																																																	
R733+R736	4822 116 81316	Res. fusible 470 Ω 1/4W																																																																																																																																																	
R743+R746	4822 115 90198	Res. fuse 33 Ω 1/4W																																																																																																																																																	
R751,R752	4822 100 11426	Potm. trimmer 470 Ω																																																																																																																																																	
R753+R756	4822 115 90166	Res. fuse 10 Ω 1/4W																																																																																																																																																	
R757,R758	4822 116 81315	Res. fuse 2.2K 1W																																																																																																																																																	
R759+R762	4822 111 91291	Res. safety 10 Ω 1/6W																																																																																																																																																	
R763,R764	4822 116 60319	Res. fusible 220 Ω 1/2W																																																																																																																																																	
R765+R768	4822 116 80955	Res. safety 4.7 Ω 1/4W																																																																																																																																																	
R769+R772	4822 116 80153	Res. metal 0.18 Ω 5W																																																																																																																																																	
R785,R786	4822 116 60246	Res. safety 220 Ω 1W																																																																																																																																																	
R787,R788	4822 111 90726	Res. safety 10 Ω 2W																																																																																																																																																	
R815,R816	4822 116 52976	Res. safety 1 Ω 1/4W																																																																																																																																																	
R817+R818	4822 116 60309	Res. fusible 2.2 Ω 1/4W																																																																																																																																																	
R819	4822 116 60307	Res. fusible 1 Ω 1/4W																																																																																																																																																	
F001	4822 253 40166	Fuse T2-5A 250V																																																																																																																																																	
JJ01,JJ02	4822 265 30512	Jack 4p																																																																																																																																																	
JV01	4822 267 20348	Jack 4p																																																																																																																																																	
JV02	4822 266 30285	Jack 6p																																																																																																																																																	
JW01	4822 266 30279	Speaker terminal																																																																																																																																																	
JW02	4822 266 30281	Speaker terminal																																																																																																																																																	
JW81	4822 267 30617	Headphone jack																																																																																																																																																	
J053	4822 290 40297	Ground terminal																																																																																																																																																	
J101	4822 264 30217	Connector																																																																																																																																																	
J102	4822 266 30324	Terminal																																																																																																																																																	
LN01	4822 280 91103	Relay DC 48V																																																																																																																																																	
L001	4822 146 21383	Transf, mains																																																																																																																																																	
L101,L102	4822 157 53801	Coil 147 μ H																																																																																																																																																	
L103	4822 157 53836	Coil																																																																																																																																																	
L105	4822 142 60388	Transf, puls																																																																																																																																																	
L701,L702	4822 157 51739	Coil, choke																																																																																																																																																	
SE01	4822 273 80336	Switch, ratary																																																																																																																																																	
SE51	4822 273 20307	Switch, ratary																																																																																																																																																	
SU01+SU09	4822 276 12455	Switch, pushbut																																																																																																																																																	
SW51	4822 276 12506	Push switch																																																																																																																																																	
S101	4822 276 20458	Push switch																																																																																																																																																	
S401	4822 276 20468	Push switch																																																																																																																																																	
S901	4822 276 12026	Push switch																																																																																																																																																	
VZ01,VZ51,VZ52	4822 134 40886	Lamp 12V 75mA																																																																																																																																																	
XU01	4822 242 72221	Cer. filter 4 MHz																																																																																																																																																	
X101	4822 242 72334	Cer. filter 16,9344 MHz																																																																																																																																																	
	<table border="0"> <tr> <td>C3419 Y</td> <td>4822 130 60117</td> </tr> <tr> <td>2SA970 (GR)</td> <td>4822 130 42949</td> </tr> <tr> <td>2SA970 GR or BL</td> <td>4822 130 42951</td> </tr> <tr> <td>2SA1048 Y or GR</td> <td>4822 130 60107</td> </tr> <tr> <td>2SA1145 O or Y</td> <td>4822 130 42999</td> </tr> </table>	C3419 Y	4822 130 60117	2SA970 (GR)	4822 130 42949	2SA970 GR or BL	4822 130 42951	2SA1048 Y or GR	4822 130 60107	2SA1145 O or Y	4822 130 42999																																																																																																																																								
C3419 Y	4822 130 60117																																																																																																																																																		
2SA970 (GR)	4822 130 42949																																																																																																																																																		
2SA970 GR or BL	4822 130 42951																																																																																																																																																		
2SA1048 Y or GR	4822 130 60107																																																																																																																																																		
2SA1145 O or Y	4822 130 42999																																																																																																																																																		